



Equipment for the Foodservice Industry
value + quality + service

Equipment Stands



Equipment Stands

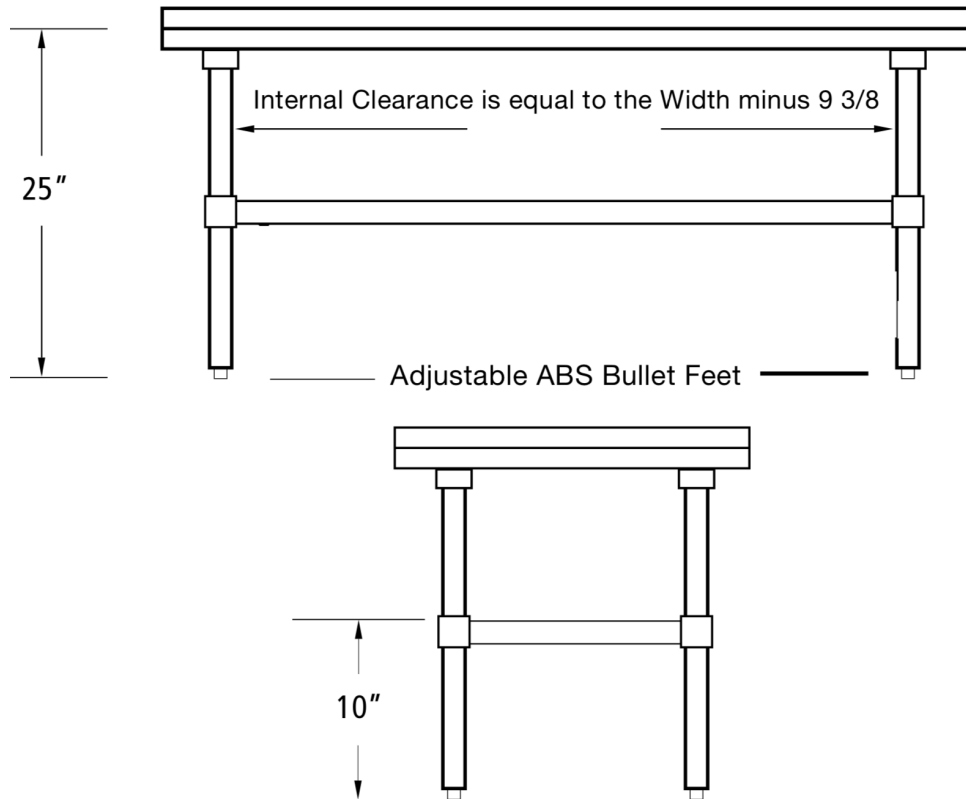
Features

Features:

- 1 1/2" riser on three sides to securely hold equipment in place
- Heavy duty, 18 gauge, Type 430 stainless steel top provides long life
- Top is TIG welded
- Entire top surface is machine polished to a satin finish
- Reinforced to exceed industry standards
- Galvanized hat channels are secured to top by structural adhesive and weld studs
- Gussets welded to support hat sections
- Hemmed edges provide strength and safety
- Simple assembly
- Shipped unassembled for reduced cost and space
- Galvanized legs and undershelf for durability and economy
- Die cast reinforced leg sockets for stability
- Legs are 1 5/8" diameter
- Adjustable ABS bullet feet to accommodate uneven flooring
- Specifications subject to change without notice.

Equipment Stands

Specifications



EQUIPMENT STANDS 24" DEPTH

| Product # | Width | Shipping Dimensions | | | Weight (lbs) |
|-----------|-------|---------------------|----|----|-----------------|
| | | L" | W" | H" | |
| TES2412 | 12 | 14 | 26 | 5 | 31 |
| TES2414 | 14 | 16 | 26 | 5 | 33 |
| TES2416 | 16 | 18 | 26 | 5 | 35 |
| TES2418 | 18 | 20 | 26 | 5 | 38 |
| TES2424 | 24 | 26 | 26 | 5 | 40 |
| TES2430 | 30 | 32 | 26 | 5 | 45 |
| TES2436 | 36 | 38 | 26 | 5 | 49 |
| TES2448 | 48 | 50 | 26 | 5 | 60 |
| TES2460 | 60 | 62 | 26 | 5 | 80 |
| TES2472 | 72 | 74 | 26 | 5 | 98 |

EQUIPMENT STANDS 30" DEPTH

| Product # | Width | Shipping Dimensions | | | Weight (lbs) |
|-----------|-------|---------------------|----|----|-----------------|
| | | L" | W" | H" | |
| TES3012 | 12 | 14 | 32 | 5 | 32 |
| TES3014 | 14 | 16 | 32 | 5 | 34 |
| TES3016 | 16 | 18 | 32 | 5 | 37 |
| TES3018 | 18 | 20 | 32 | 5 | 40 |
| TES3024 | 24 | 26 | 32 | 5 | 48 |
| TES3030 | 30 | 32 | 32 | 5 | 52 |
| TES3036 | 36 | 38 | 32 | 5 | 57 |
| TES3044 | 44 | 46 | 32 | 5 | 65 |
| TES3048 | 48 | 50 | 32 | 5 | 69 |
| TES3060 | 60 | 62 | 32 | 5 | 75 |
| TES3072 | 72 | 74 | 32 | 5 | 100 |