



Equipment for the Foodservice Industry

value + quality + service

STAINLESS STEEL HAND & WALL MOUNT SINKS



STAINLESS STEEL HAND & WALL MOUNT SINKS

Features

Features:

- All sink bowls have a large liberal radius
- Rectangular in design for increased capacity
- Keyhole wall mount bracket
- Stainless steel basket drain with a 1 1/2" IPS
- 8" backsplash
- 4" center faucet holes
- All TIG welded
- Welded areas are blended to a satin finish to match adjacent surfaces
- Die formed countertop edge with a No-Drip offset
- One sheet of stainless steel means no seams
- Heavy gauge Type 304 stainless steel
- Wall mounting bracket is of offset design in Type 304 stainless steel
- All fittings are brass/chrome unless otherwise indicated
- Faucet supply is 1 1/12" IPS male thread hot and cold
- Specifications subject to change without notice.

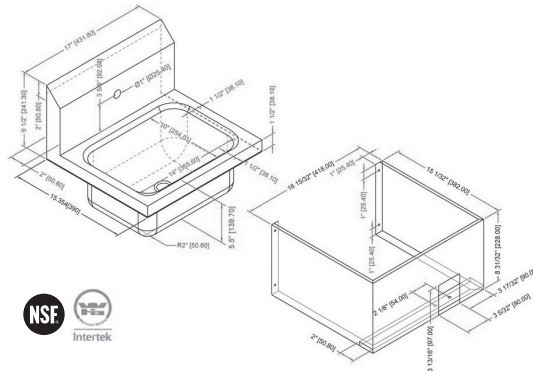


STAINLESS STEEL HAND & WALL MOUNT SINKS

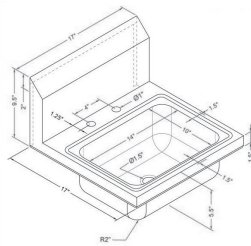
Features



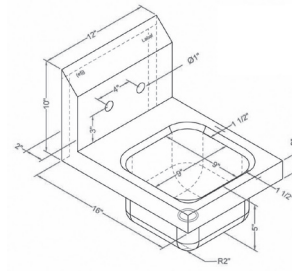
SIH817-K



SIH817-D



SIH813-F



STAINLESS STEEL HAND & WALL MOUNT SINKS

Product #	Description	Shipping Dimensions			Weight (lbs)
		W"	D"	H"	
SIH817-K	Wall mount hand sink w/ knee valve and faucet	16	16	18	23

STAINLESS STEEL HAND & WALL MOUNT SINKS

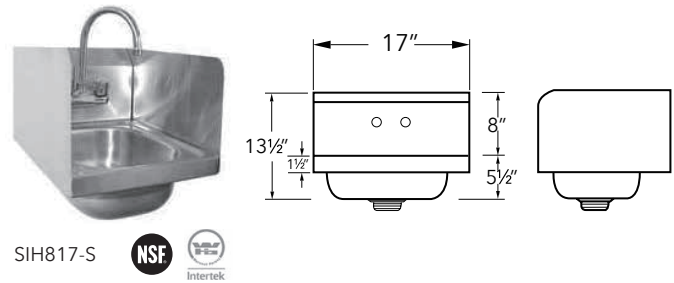
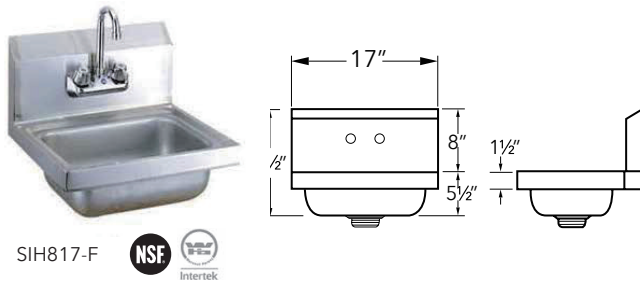
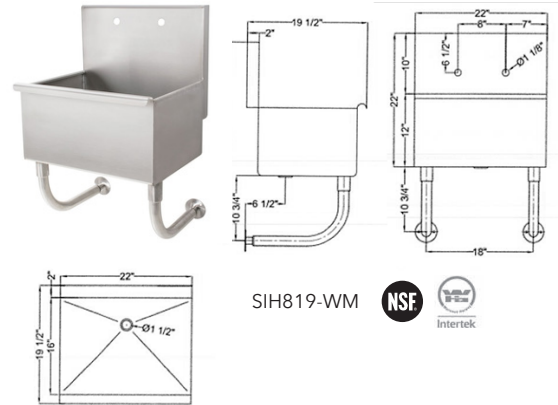
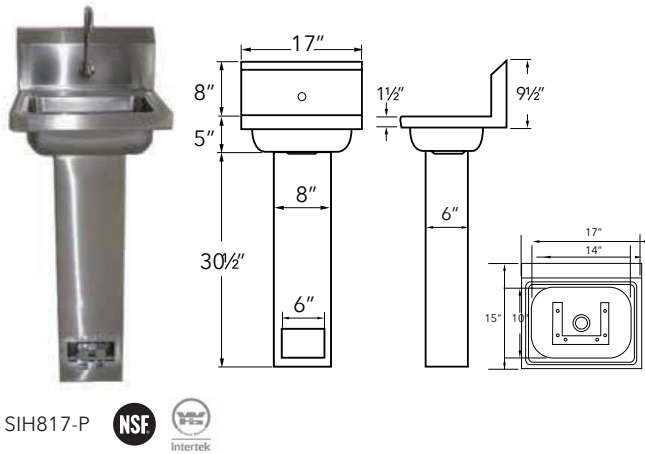
Product #	Description	Shipping Dimensions			Weight (lbs)
		W"	D"	H"	
SIH817-D	Deck mount hand sink with faucet	18	18	15	13
SIH813-F	Wall mount space saver hand sink	12	16	12	5

HAND SINK ACCESSORIES

Product #	Description	Shipping Dimensions			Weight (lbs)
		W"	D"	H"	
SIH-FW	Faucet for hand sink	9	5	3	2
SIH-FV	Foot-valve for hand sink	11	6	3	3

STAINLESS STEEL HAND & WALL MOUNT SINKS

Features



STAINLESS STEEL HAND & WALL MOUNT SINKS

Product #	Description	Shipping Dimensions			Weight (lbs)
		W"	D"	H"	
SIH817-W	Wall mount hand sink	18	17	14	13
SIH817-F	Wall mount hand sink w/ faucet	18	17	14	14
SIH817-S	Wall mount hand sink w/ splash guard	18	17	14	14
SIH817-P	Wall mount hand sink w/ pedestal base includes faucet and foot valve	18	17	14	23

WALL MOUNT UTILITY HAND SINK

Product #	Description	Shipping Dimensions			Bowl Depth
		W"	D"	H"	
SIH819-WM	Wall mount sink w/10" backsplash, 2 stainless steel tubular brackets	20	22	24	4"

HAND SINK ACCESSORIES

Product #	Description	Shipping Dimensions			Weight (lbs)
		W"	D"	H"	
SIH-FW	Faucet for hand sink	9	5	3	2
SIH-FV	Foot-valve for hand sink	11	6	3	3



EFI Sales Ltd.
Vancouver Office
26895 Gloucester Way
Langley, BC V4W 3Y3

EFI Sales Ltd.
Toronto Office
474 Attwell Drive
Toronto, ON M9W 5C3

Distribution Facilities:
Langley, BC
Toronto, ON

(604) 607-8850 Vancouver
(416) 798-7776 Toronto
(888) 565-9920 Toll Free
(604) 607-8820 Fax
info@efifoodequip.com