



Sandwich/Salad Prep Table - Stainless Steel

RCSP2-60

Features

- CFC free refrigerant and foam
- Electronic thermostat and digital LED temperature display
- Magnetic gasket can be replaced without any tool
- Material : S/S 304 inside and S/S 430 outside
- PE cutting board is included
- Auto Defrost



TECHNICAL DATA

Exterior Dimension (In)	61 3/16 x 29 15/16 x 42 1/2
Packing Dimension (In)	62 7/8 x 31 1/2 x 44 5/8
Storage Capacity (Cu-Ft)	18.2
Shelf Capacity (Sq-Ft)	GN1/6 PANS-16PCS
Temperature range (F)	33 - 41
Voltage	115V/60HZ/1PH

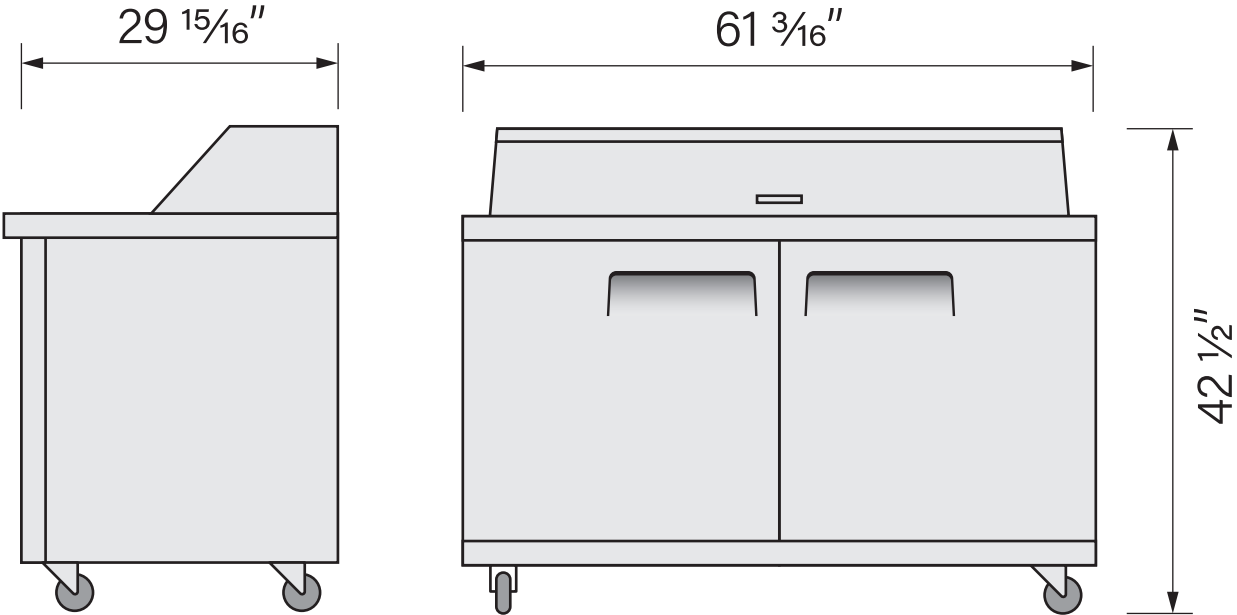
Thermostat	Dixell
Compressor	Embraco
Refrigerant	R290
Doors	2
Shelves	2
Cord Length	2.8M



1 Year warranty on all parts and labor
3 Years warranty on compressor



PLAN VIEW



Pans 16 x 1/6

