



Item: _____

Quantity: _____

Project: _____

Royal Series

Models: RHEF-45-DM RHEF-45-DM2 RHEF-45-CM



**Patent Pending*

RHEF-45-CM, Shown with optional casters

Gas Type: Natural LP

Elevation (if above 2000 ft.): _____

- DM - Digital solid state thermostat
- DM2 - Two channel solid state digital control with melt cycle
- CM - 8 product computer control with individual programming capabilities for temperature and compensating time

Standard Features

- 63% Energy Efficiency
- “Zero” Recovery time
- 71 lbs. Per hour production capacity
- 45-50 lb capacity stainless steel tank assembly
- All stainless steel cabinet
- Innovative heat exchanger assembly transfers maximum heat to the oil
- 3 tube heat entry with easily removable diffusers reduces thermal stress
- Automatic pilot ignition with 100% safety
- High efficiency in-shot burners rated at 33,000 BTU/hr each
- Extremely low exhaust flue temperatures
- Twin fry baskets with plastic coated handles for ease of handling
- 1¼” full port drain valve
- 6” heavy duty adjustable legs
- Ten year limited (prorated) warranty on S/S tank

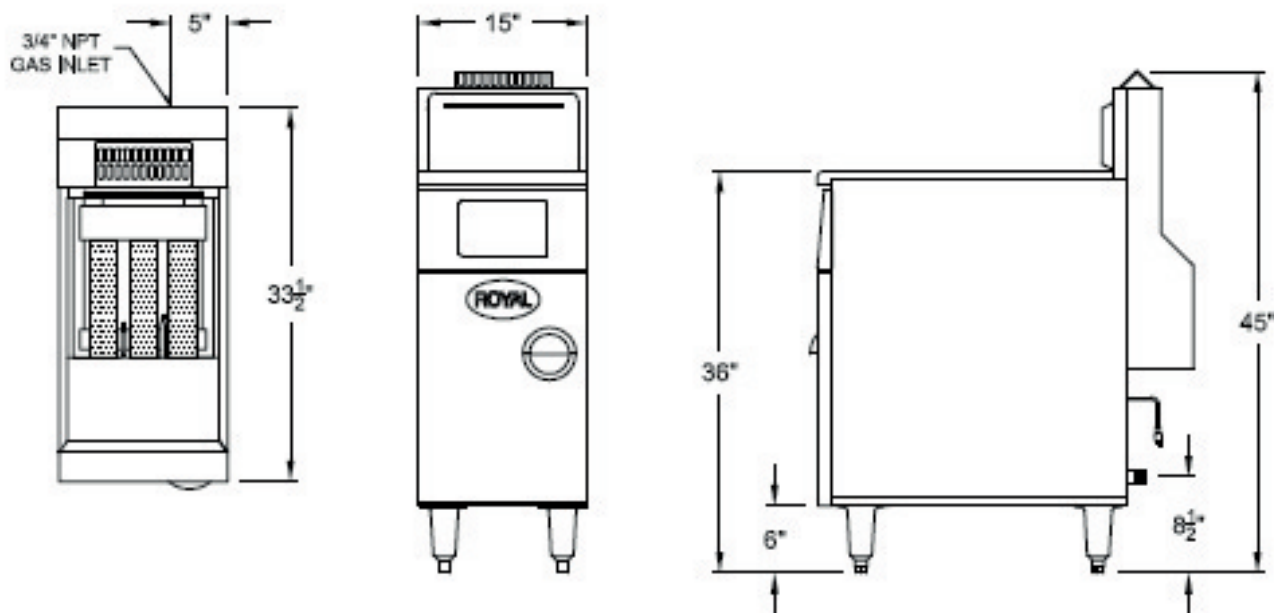
Options and Accessories

- Stainless steel tank cover
- Stainless steel side splash guard
- Stainless steel joiner strip
- 48” quick disconnect and restraining cable
- 5” swivel casters (set of four - 2 locking)



2 YEAR LIMITED, PARTS AND LABOR WARRANTY

45 lb. High Efficiency Deep Fat Fryer



Model Number	Cooking Area	Number of Burners	Total BTU	Ship Weight
RHEF-45-DM RHEF-45-DM2 RHEF-45-CM	13½" x 14¾"	3	99,000	240 lbs.

Gas Connection:
3/4" NPT on the right hand rear of the appliance.
No external pressure regulator required.

Electrical:
120V, 60 Hz, 1 Ph, 2 Amps
Provided with 6' power cord fitted with standard 3 prong grounded plug

Specify type of gas and altitude, if over 2,000 feet, when ordering.

Gas Pressure:

3.5" W.C.	Natural Gas
10" W.C.	Propane

Clearances:

	Combustible	Non-Combustible
Rear	6"	0"
Sides	6"	0"

Due to continuing product development to ensure best possible performance, these specifications are subject to change without prior notification.