

Project Name: _____ AIA#: _____

Model #: _____ Location: _____

SIS#: _____ Item #: _____ Quantity: _____



60 Quart Planetary Pizza Floor Mixer

**Robust size and power
for handling pizza dough!**

Features two fixed speeds and operator-friendly power bowl lift.



Model

SP62P — Pizza Mixer

Standard Features

- Powerful 3 HP custom built motor
- Gear-driven, high-torque transmission
- Heat-treated hardened steel alloy gears & shafts
- Two fixed speeds
- Handles up to 50 lbs. of flour (80 lb. batch size)
- Permanently lubricated oil bath transmission
- Thermal overload protection
- Front-mounted touch pad controls with 60-minute digital timer and last-batch recall
- Stainless steel, interlocking bowl guard with built-in, fully welded ingredient chute
- Safety interlocked power bowl lift
- Heavy duty bowl truck (pictured)
- Rigid cast iron body
- Industry standard #12 attachment hub
- NSF approved enamel gray paint
- 6-foot cord and ground plug
- Auto shut off, for operator safety plus motor and transmission protection

Standard Accessories/Attachments

- 60 qt. stainless steel bowl (#304 series)
- Aluminum spiral dough hook
- Non-slip rubber feet
- Bowl truck

Warranty

- Two years parts and labor

Optional Attachments/Accessories

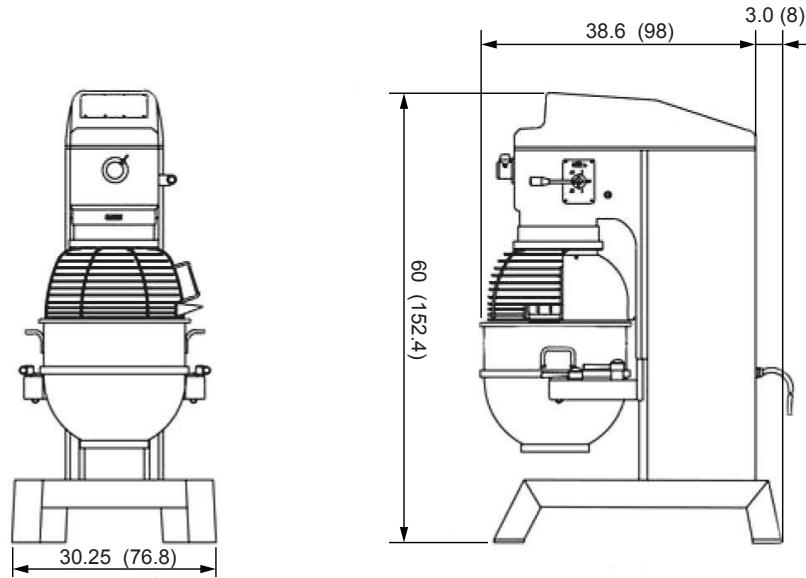
- Seismic flange kit
- Slicer/shredder/grater for #12 hub
- Meat grinder for #12 hub
- Meat tenderizer for #12 hub
- Strip cutter for #12 hub
- Aluminum flat beater
- Stainless steel wire whip
- Additional bowl truck
- Correctional package
- Extended warranty

To select options see back



Approved by: _____ Date: _____

2153 Dryden Rd., Dayton, OH 45439 | 937-299-5493 | 800-347-5423 | Fax: 937-299-4147 | www.globefoodequip.com



Drawings available through KCL at www.kclcad.com.

SPECIFICATIONS

Model	Motor	Volts	Amps	Transmission Type	Capacity	Controls	Power Bowl Lift	Agitator Speeds (RPMs)		Attachment Speeds (RPMs)	
								First	Second	First	Second
SP62P (1 Phase)	3 HP	220/60/1	18	Gear	60 qt / 57 liter	Digital, front mounted timer and controls	1/8 HP Motor	56	98	64	110
SP62P (3 Phase)	3 HP	208/60/3	12	Gear	60 qt / 57 liter			64	110		

Cord & Plug: Attached 6-foot flexible 3-wire cord with molded plug fits a grounded receptacle. Single phase NEMA L6-30P (Ⓢ) Three phase NEMA L15-20P (Ⓢ)

**Specify voltage when ordering.*

DIMENSIONS | SHIPPING INFORMATION

Reinforced carton for shipping. The weight and dimensions of this reinforced carton are included below and may vary from shipment to shipment. **This product ships on a pallet. Freight class 85.**

Model	Overall Dimensions	Net Weight	Shipping Dimensions	Shipping Weight
SP62P	30.25" W x 41.6" D x 60" H (76.83 cm x 105.66 cm x 152.4 cm)	980 lbs (444 kg)	48" W x 48" D x 76" H (122 cm x 122 cm x 193 cm)	1,228 lbs (556 kg)

Mixer is constructed of a rigid cast iron body with front-mounted controls and 60-minute digital timer. Mixer has 3 HP custom built motor with overload protection and gear-driven, high torque permanently lubricated 2 speed transmission consisting of heat-treated hardened steel alloy gears and shafts. Mixer comes standard 60 qt. stainless steel bowl, stainless steel bowl truck, aluminum dough hook and non-slip rubber feet. Interlocked with stainless steel bowl guard with fully welded ingredient chute. Mixer has #12 attachment hub and interlocked bowl lift. Mixer is NSF and ETL listed. Two-year parts and labor warranty.

OPTIONAL MIXER ACCESSORIES AND HUB ATTACHMENTS

MIXER:

- XXSEISMIC KIT-LG** Seismic kit
- XXBOWL-62** 60 qt. stainless steel (S/S) bowl
- XXBEAT-62** Alum. flat beater
- XXHOOK-62** Alum. dough hook
- XXWHIP-62** S/S wire whip
- XBTRUCK-62** Heavy-duty bowl truck

HUB:

- XVSGH 9"** Slicer/Shredder/Grater housing only (no plates included-must select from plates listed on this sheet)
- XASP** Adjustable slicing plate (for vegetables only)
- XPH** Plate holder

- L00670** Meat Tenderizer attachment

- L00783** Strip Cutter attachment

Shredding Plates:

- XSP332*** 3/32" (2.3 mm)
- XSP316*** 3/16" (4.7 mm)
- XSP14*** 1/4" (6.3 mm)
- XSP516*** 5/16" (7.9 mm)
- XSP12*** 1/2" (12.7 mm)

- XGP*** Grating plate

**Only 1 plate holder required*

- XMCA-SS** Meat grinder assembly (Polished stainless steel cylinder, worm gear, ring, and s/s pan. Includes knife, 3/16" plate, and pusher.)

- XXCK** Chopper knife for XMCA-SS

Chopper Plate Sizes Available:

- CP02-12** 1/16" (2 mm)
- CP04-12** 5/32" (4 mm)
- CP05-12** 3/16" (5 mm)
- CP06-12** 1/4" (6 mm)
- CP08-12** 5/16" (8 mm)
- CP10-12** 3/8" (10 mm)
- CP12-12** 1/2" (12 mm)
- CP14-12** 9/16" (14 mm)
- CP16-12** 5/8" (16 mm)
- CP18-12** 11/16" (18 mm)
- CP00-12** Stuffing plate
- XST12** 1/2" Stuffing tube (mutton)

- XST34** 3/4" Stuffing tube (pork)

- FACTORY INSTALLED OPTION: XXCORR-62** Correctional package, includes tamper resistant external fasteners.

- EXTENDED WARRANTY SP-XDSPL** Extended warranty for SP62P mixer, extends factory warranty to 3 years. **Available only at time of purchase.**