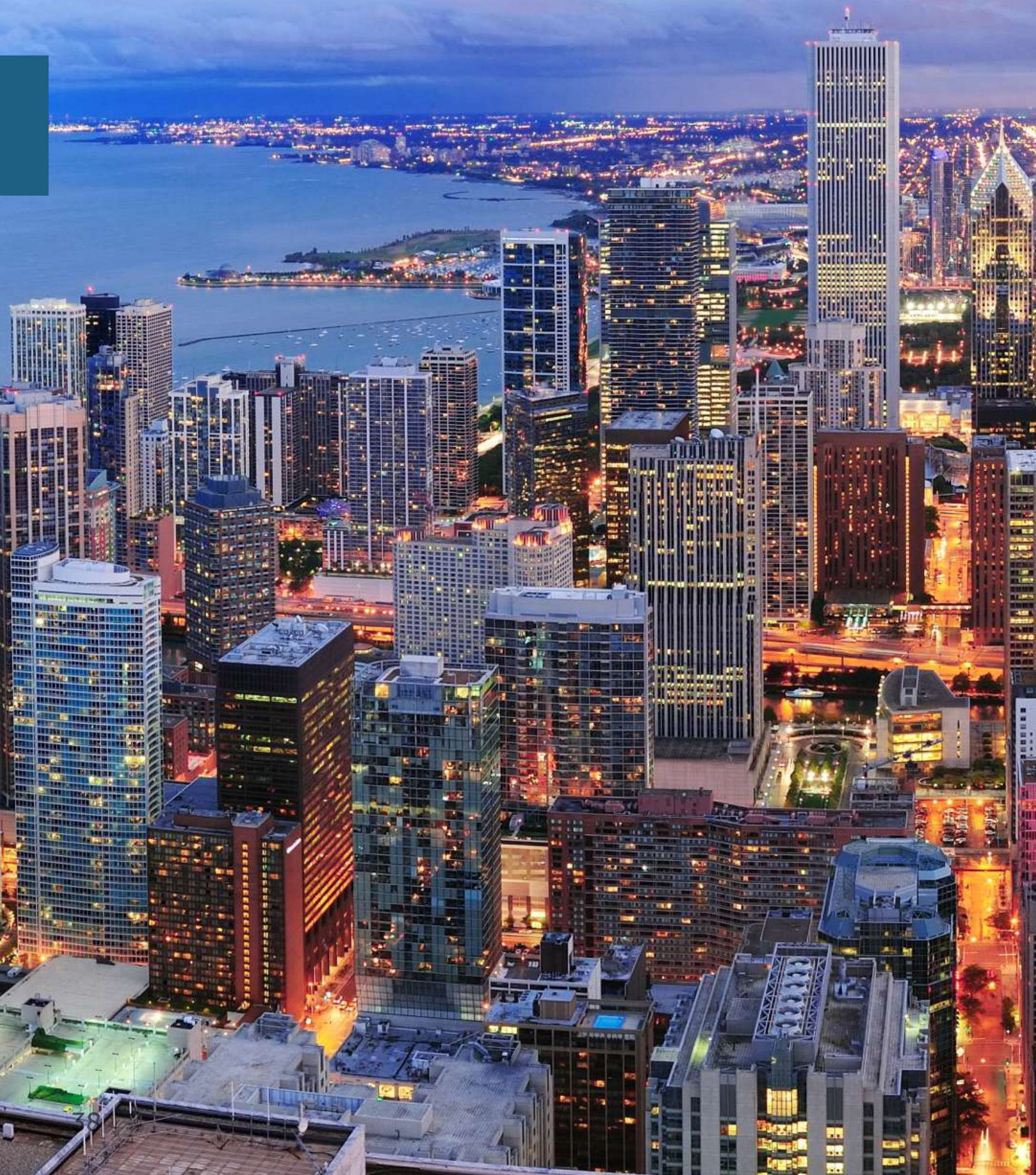


# 3. Chef bases





## Chef Bases

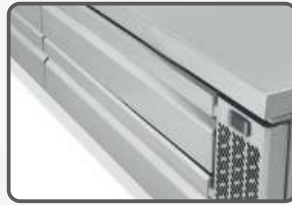
| Models       | Description                                    | Page |
|--------------|--|------|
| IUC-MSG36    | Chef Bases - 2 Drawers - 2 (12x20") & 6 (1/6") | 42   |
| IUC-MSG48    | Pans Chef Bases - 2 Drawers - 4 Pans           | 42   |
| IUC-MSG52    | Chef Bases - 2 Drawers - 6 Pans                | 42   |
| IUC-MSG52-60 | Chef Bases - 2 Drawers - 6 Pans                | 42   |
| IUC-MSG72    | Chef Bases - 4 Drawers - 8 Pans                | 42   |
| IUC-MSG96    | Chef Bases - 4 Drawers - 12 Pans               | 42   |
| IUC-MSG110   | Chef Bases - 6 Drawers - 12 Pans               | 42   |



# Specifications



Drawers with telescopic guides up to 200 Kg.



Stamped worktop with "V" edge



Casters



**MSG36**



**MSG52-60**



**MSG72**

## Exterior

- AISI 304 Stainless Steel top. Drip resistant "V" edge protects against spills
- Front and sides in AISI 430 Stainless Steel
- Flat top option available

## Interior

- AISI 430 stainless steel

## Insulation

- CFC-Free polyurethane insulation, entire cabinet structure is foamed-in place using a high density polyurethane insulation
- Low GWP & Zero ODP effect

## Drawers

- Each drawer accommodates two or three full size 12"x20" pans
- Drawers with full-extension sliding rails for complete opening
- Drawers with integrated handle
- Heavy-duty Stainless Steel drawer slides designed to hold up to 440 Lbs.

## Refrigeration

- Temperature regulated by thermostatic control
- Energy-saving non-electric condensate pan
- Evaporator coil coated with anti-corrosion material 100% Polyester
- Forced air refrigeration system
- Front-breathing refrigeration system
- Refrigerant gas R290

## Electrical

- Cord and NEMA 5-15P plug
- Electrical connection is 115V / 1ph / 60Hz.

## Options

- Set of 6" legs, height adjustable from 5" to 8"

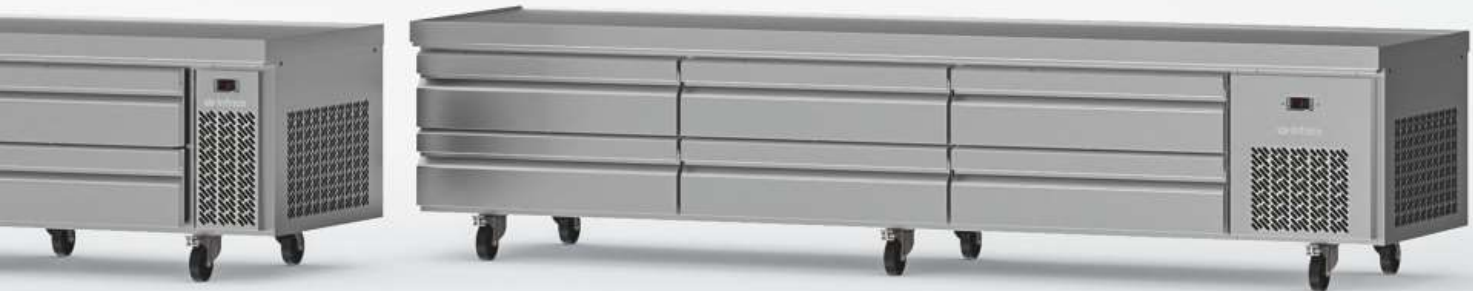
**HOLDS UP TO  
700 LBS**  
[MSG 36, 48, 52]



**HOLDS UP TO  
1000 LBS**  
[MSG 72, 96, 110]



**CAPACITY  
FOR UP TO  
6" DEEP PANS**



**MSG110**

**MSG96**

And also

- AISI 304 Stainless steel worktop
- Capacity for 12"x20" fullsize pans
- Front and sides in AISI 430 Stainless Steel
- Drip guard marine edge, standard
- 4" Diameter Casters with Locks on front set



**OPTIONS**

- Stainless Steel wire shelves
- Additional slide kits

**CAPACITY**

Capacity for up to 6" deep pans

# MSG Series

**Chef bases**

**MSG Series**

**IUC-MSG-96**



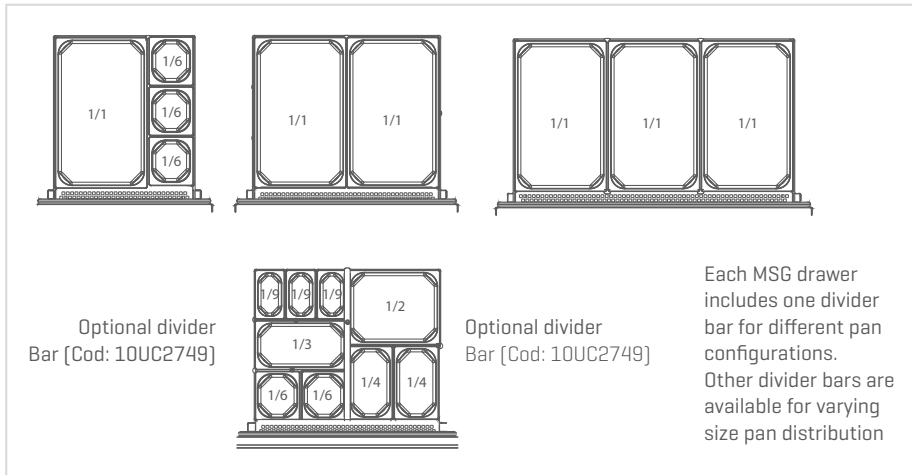
21,65" heavy-duty stainless steel drawer slides designed to hold up to 440 Lbs.



4" reinforced insulated top

| MOD.         | Overall Dimensions |        |        | Drawers | (°F)      | (ft <sup>3</sup> ) | (HP) | 115V<br>[Amps] | [Lbs] | DOE                      |
|--------------|--------------------|--------|--------|---------|-----------|--------------------|------|----------------|-------|--------------------------|
| IUC-MSG-36   | 36-5/8             | 32-1/2 | 26-1/4 | 2       | 33°F/38°F | 5.2                | 1/5  | 4.8            | 300   | <b>Hydrocarbon R-290</b> |
| IUC-MSG-48   | 48-5/8             | 32-1/2 | 26-1/4 | 2       | 33°F/38°F | 6.8                | 1/5  | 4.8            | 390   | <b>Hydrocarbon R-290</b> |
| IUC-MSG-52   | 53-1/4             | 32-1/2 | 26-1/4 | 2       | 33°F/38°F | 9.9                | 1/3  | 6.5            | 450   | <b>Hydrocarbon R-290</b> |
| IUC-MSG52-60 | 60                 | 32-1/2 | 26-1/4 | 2       | 33°F/38°F | 9.9                | 1/3  | 6.5            | 450   | <b>Hydrocarbon R-290</b> |
| IUC-MSG-72   | 72-5/8             | 32-1/2 | 26-1/4 | 4       | 33°F/38°F | 14.3               | 1/3  | 6.5            | 560   | <b>Hydrocarbon R-290</b> |
| IUC-MSG-96   | 97                 | 32-1/2 | 26-1/4 | 4       | 33°F/38°F | 20.6               | 1/3  | 6.5            | 750   | <b>Hydrocarbon R-290</b> |
| IUC-MS-110   | 110-5/8            | 32-1/2 | 26-1/4 | 6       | 33°F/38°F | 22                 | 1/3  | 6.9            | 850   | <b>Hydrocarbon R-290</b> |


Height already includes 5-1/8" for casters




IUC-MSG-52



**HOLDS UP TO  
700 LBS**  
[MSG 36, 48, 52]

————  ————

**HOLDS UP TO  
1000 LBS**  
[MSG 72, 96, 110]

————  ————