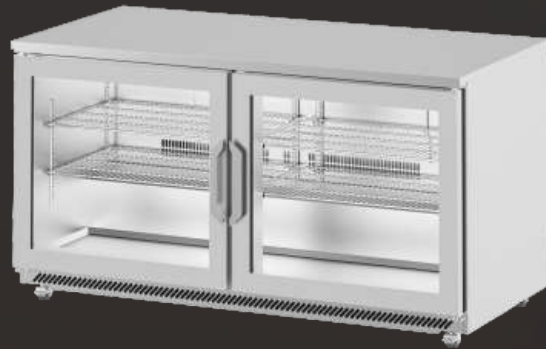


# 4. Undercounters & Worktops







## Undercounter Refrigerators and Freezers

Models	Description	Page
<b>IUC-UC27R</b>	1 Solid Door Refrigerator - 8 ft <sup>3</sup>	48
<b>IUC-UC36R</b>	2 Solid Door Refrigerator - 11 ft <sup>3</sup>	48
<b>IUC-UC48R</b>	2 Solid Door Refrigerator - 14 ft <sup>3</sup>	48
<b>IUC-UC60R</b>	2 Solid Door Refrigerator - 17 ft <sup>3</sup>	48
<b>IUC-UC72R</b>	3 Solid Door Refrigerator - 21 ft <sup>3</sup>	48
<b>IUC-UC27RCR</b>	1 Glass Door Refrigerator - 8 ft <sup>3</sup>	48
<b>IUC-UC36RCR</b>	2 Glass Door Refrigerator - 11 ft <sup>3</sup>	48
<b>IUC-UC48RCR</b>	2 Glass Door Refrigerator - 14 ft <sup>3</sup>	48
<b>IUC-UC60RCR</b>	2 Glass Door Refrigerator - 17 ft <sup>3</sup>	48
<b>IUC-UC72RCR</b>	3 Glass Door Refrigerator - 21 ft <sup>3</sup>	48
<b>IUC-UC27F</b>	1 Solid Door Freezer - 8 ft <sup>3</sup>	48
<b>IUC-UC36F</b>	2 Solid Door Freezer - 11 ft <sup>3</sup>	48
<b>IUC-UC48F</b>	2 Solid Door Freezer - 14 ft <sup>3</sup>	48
<b>IUC-UC60F</b>	2 Solid Door Freezer - 17 ft <sup>3</sup>	48

## Shallow Depth Worktop Refrigerators and Freezers

Models	Description	Page
<b>IUC-UC27RW</b>	1 Solid Door Refrigerator - 8 ft <sup>3</sup>	50
<b>IUC-UC36RW</b>	2 Solid Door Refrigerator - 11 ft <sup>3</sup>	50
<b>IUC-UC48RW</b>	2 Solid Door Refrigerator - 14 ft <sup>3</sup>	50
<b>IUC-UC60RW</b>	2 Solid Door Refrigerator - 17 ft <sup>3</sup>	50
<b>IUC-UC72RW</b>	3 Solid Door Refrigerator - 21 ft <sup>3</sup>	50
<b>IUC-UC27RWCR</b>	1 Glass Door Refrigerator - 8 ft <sup>3</sup>	50
<b>IUC-UC36RWCR</b>	2 Glass Door Refrigerator - 11 ft <sup>3</sup>	50
<b>IUC-UC48RWCR</b>	2 Glass Door Refrigerator - 14 ft <sup>3</sup>	50
<b>IUC-UC60RWCR</b>	2 Glass Door Refrigerator - 17 ft <sup>3</sup>	50
<b>IUC-UC72RWCR</b>	3 Glass Door Refrigerator - 21 ft <sup>3</sup>	50
<b>IUC-UC27FW</b>	1 Solid Door Freezer - 8 ft <sup>3</sup>	50
<b>IUC-UC36FW</b>	2 Solid Door Freezer - 11 ft <sup>3</sup>	50
<b>IUC-UC48FW</b>	2 Solid Door Freezer - 14 ft <sup>3</sup>	50
<b>IUC-UC60FW</b>	2 Solid Door Freezer - 17 ft <sup>3</sup>	50



## WorkTop Refrigerators and Freezers

Models	Description	Page
<b>IUC-MR41</b>	1 Solid Door Refrigerator - 7.8 ft <sup>3</sup>	52
<b>IUC-MR67</b>	2 Solid Door Refrigerator - 17 ft <sup>3</sup>	52
<b>IUC-MR93</b>	3 Solid Door Refrigerator - 27 ft <sup>3</sup>	52

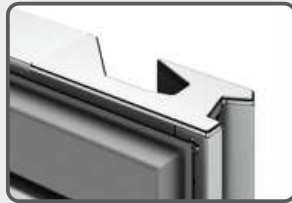
Models	Description	Page
<b>IUC-MR41BT</b>	1 Solid Door Freezer - 7.8 ft <sup>3</sup>	52
<b>IUC-MR67BT</b>	2 Solid Door Freezer - 17 ft <sup>3</sup>	52



# Specifications



Triple chamber snap in door gasket for easy cleaning. AISI 430 Stainless Steel Interior & Exterior cabinet construction. AISI 304 Stainless Steel Top.



Double handle door



Standard expansion valve in freezers.



Pull-out side mounted condensing unit for easy service.



**UC27R CR**



**UC48R**



**UC72RCR**

## Undercounters / Shallow Depth Worktop refrigerators & freezers

### Exterior

- AISI 430 stainless steel
- AISI 304 stainless steel top

### Interior

- AISI 430 stainless steel

### Insulation

- CFC-Free polyurethane insulation, entire cabinet structure is foamed-in place using a high density polyurethane insulation - Low GWP & Zero ODP effect

### Shelving

- [2] Two plastic coated wire shelves per section.

### Doors

- Polyurethane insulated doors
- Self closing doors with stay open feature
- Stainless Steel heavy-duty hinges
- Triple chamber snap in door gaskets for easy removal and cleaning
- Heated door frame to avoid accumulation of ice, [Models F]
- Field reversible doors
- Door opening WxH: 23-1/4"x21-7/8" [UC27F]; 19-5/8"x21-7/8" [UC48F]; 25-5/8"x21-7/8" [UC60F]

### Refrigeration

- Temperature regulated by thermostatic control
- Hot gas defrost, [Models BT, F]
- Energy-saving non-electric condensate pan
- Evaporator coil coated with anti-corrosion material 100% Polyester
- Forced air refrigeration system



Protected digital Controller, with automatic Defrost.



Each guide supports up to 132 lb.



Omega reinforcement in W and MR models



**UC60RW CR**



**MR93**

"4" Blacksplash standard

## Worktop refrigerators & freezers

### Exterior

- AISI 430 stainless steel
- AISI 304 stainless steel top

### Interior

- AISI 430 stainless steel
- Internal drain plug for easy cleaning
- Sealed interior floors and rounded cabinet corners

### Insulation

- CFC-Free polyurethane insulation, entire cabinet structure is foamed-in place using a high density polyurethane insulation
- Low GWP & Zero ODP effect

### Shelving

- [2] Two plastic coated wire shelves per section.

### Doors

- Polyurethane insulated doors
- Self closing doors with stay open feature
- Stainless Steel heavy-duty hinges
- Triple chamber snap in door gaskets for easy removal and cleaning
- Heated door frame to avoid accumulation of ice, [Models BT, F]
- Field reversible doors
- Doors locks
- Door opening WxH: 21-5/8" x 20-5/8"

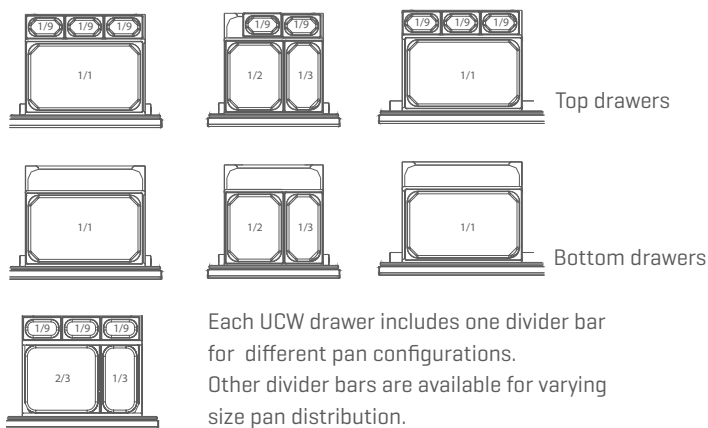
### Refrigeration

- Digital temperature controller with automatic defrost system
- Hot gas defrost, [Models BT ]
- Energy-saving non-electric condensate pan
- Extractable condensing unit for easy service
- Evaporator coil coated with anti-corrosion material 100% Polyester
- Forced air refrigeration system
- 100°F ambient



# Shallow Depth Worktop Refrigerators

# UCW Series



MOD.	Overall Dimensions (including backsplash)			Doors	(°F)	(ft <sup>3</sup> )	(HP)	115V	[Lbs]	DOE
IUC-UC27RW	27-5/8	30-1/8	39	1	33°F/38°F	8.0	1/4	3.9	270	Hydrocarbon R-290
IUC-UC36RW	36-1/8	30-1/8	39	2	33°F/38°F	14.0	1/4	4.1	310	Hydrocarbon R-290
IUC-UC48RW	48-1/8	30-1/8	39	2	33°F/38°F	14.0	1/4	4.1	354	Hydrocarbon R-290
IUC-UC60RW	60-3/8	30-1/8	39	2	33°F/38°F	17.0	1/4	4.1	430	Hydrocarbon R-290
IUC-UC72RW	72-5/8	30-1/8	39	3	33°F/38°F	21.0	1/3	4.6	506	Hydrocarbon R-290
IUC-UC27RWCR	27-5/8	30-1/8	39	1	33°F/38°F	8.0	1/4	3.9	270	Hydrocarbon R-290
IUC-UC36RWCR	36-1/8	30-1/8	39	2	33°F/38°F	14.0	1/4	4.1	344	Hydrocarbon R-290
IUC-UC48RWCR	48-1/8	30-1/8	39	2	33°F/38°F	14.0	1/4	4.1	393	Hydrocarbon R-290
IUC-UC60RWCR	60-3/8	30-1/8	39	2	33°F/38°F	17.0	1/4	4.1	477	Hydrocarbon R-290
IUC-UC72RWCR	72-5/8	30-1/8	39	3	33°F/38°F	21.0	1/3	4.6	561	Hydrocarbon R-290
IUC-UC27FW	27-5/8	30-1/8	39	1	0°F	8.0	1/2	5.0	270	Hydrocarbon R-290
IUC-UC36FW	36-1/8	30-1/8	39	2	0°F	14.0	1/2	5.3	310	Hydrocarbon R-290
IUC-UC48FW	48-1/8	30-1/8	39	2	0°F	14.0	1/2	5.3	360	Hydrocarbon R-290
IUC-UC60FW	60-3/8	30-1/8	39	2	0°F	17.0	1/2	5.3	430	Hydrocarbon R-290

Height already includes 5-1/8" for casters

# Shallow Depth Worktop Freezers

# UCW Series



4 UNDERCOUNTERS & WORKTOPS

### STANDARD FEATURES

<b>ELECTRICAL</b>	Electrical connection is 115V / 1ph / 60Hz	Cord and NEMA 5-15P plug	Electronic fan motors
<b>OPTIONAL DRAWER KIT COMPATIBLE WITH:</b>	12"x20" [UC27/UC60] pans 1/2+1/3 [UC48] pans +Uc72 [Pans not included]		
<b>OPTIONS</b> Cap.10 [Accessories & parts]	Drawer kit Single Overshelf Double Overshelf	Set of 2" casters [locking on front set] Without backslash Granite Top	