

EXPERIENCE

VEX · Experience supermarket counter for meat and deli



EXCELLENCE IN THE SHOPPING EXPERIENCE

Remote (racks) and plug in models.
Wide range of options, end panels and customization possibilities.



WIDE PRODUCT RANGE WITH DESIGNS FOR ALL TYPES OF COMMERCIAL SALES

Straight or curved glass structure.
Traditional or self-service sales.



FULL VISIBILITY OF DISPLAY PRODUCTS

High transparency glass.
High efficiency double row LED lighting.



PREPARED TO DISPLAY ALL TYPES OF UNPACKAGED REFRIGERATED AND HOT PRODUCTS

Meat, Deli and prepared food

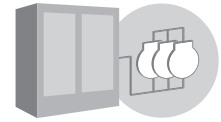


EXPERIENCE SERIES

Experience supermarket counter for meat and deli
VEX · VEXCP

REMOTE

FOR



AVAILABLE MODELS

VEX9CP	VEX12CP	VEX15CP
VEX18CP	VEX25CP	VEX31CP
VEX37CP		

ELECTRICAL DATA: 115 V / 1Ph / 60 Hz

REFRIGERANT CONNECTION: Freon, CO2

PRODUCT TEMP: 33°F / 41°F

GENERAL DATA

MODEL	VEX9CP	VEX12CP	VEX15CP	VEX18CP	VEX25CP	VEX31CP	VEX37CP
LENGTH (in)	37	49 1/5	61 1/2	73 5/6	98 3/7	123	147 2/3
TOTAL VOLUME (ft ³)	6	8	10	12	15 8/9	19 7/8	23 5/6
TDA (ft ²)	13	16 5/7	20 1/3	24	31 1/6	38 2/5	45 2/3

GENERAL DATA

MEASURE (in)	48 3/8 x 50 1/4 x **L (in)
SHELVES (in)	—
N° SHELVES	—
EXPOSITION DECK (in)	35 3/8
SIDE PANEL THICKNESS (in)	1 4/7

STANDAR FEATURES

Exterior:

- Epoxy painted steel sheet
- Double panel glass sides
- Adjustable feet

Interior:

- AISI 304 Stainless Steel.
- Stainless Steel internal panel perforated.
- Height and incline adjustable stainless steel shelves

Insulation:

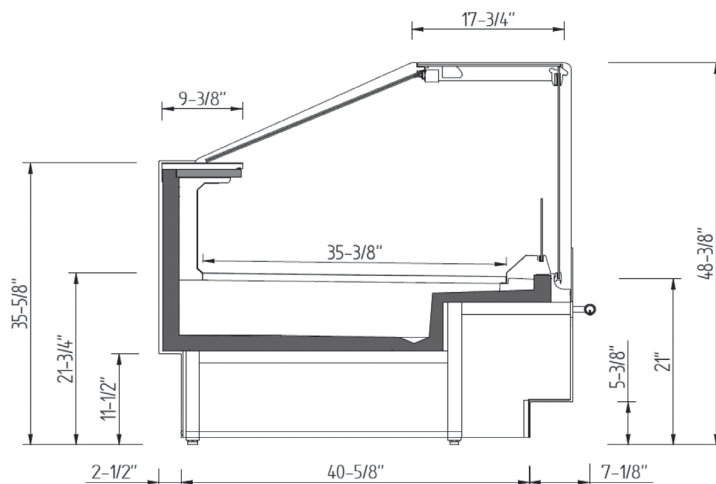
- CFC-Free polyurethane insulation, entire cabinet structure is foamed-in place using a high density polyurethane insulation.

Electrical and electronic controllers:

- Remote alarm signals.
- Encapsulated and sealed NTC temperature probes.
- Effective way to visualize temperature

Refrigeration:

- Digital temperature controller with automatic defrost system.



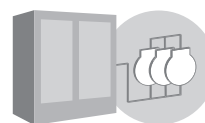
COMMERCIAL SECTION

EXPERIENCE SERIES

Experience supermarket counter for meat and deli
VEX · VEXCP CORNERS



REMOTE



AVAILABLE MODELS

VEX90AAPC VEX90ACCP

ELECTRICAL DATA: 115 V / 1Ph / 60 Hz

REFRIGERANT CONNECTION: Freon, CO2

PRODUCT TEMP: 33°F / 41°F

GENERAL DATA

MODEL	VEX90AAPC	VEX90ACCP
LENGTH (in)	76	109
TOTAL VOLUME (ft³)	5	7 1/3
TDA (ft²)	—	—

GENERAL DATA

MEASURE (in)	SEE FLOOR PLAIN
SHELVES (in)	—
N° SHELVES	—
EXPOSITION DECK (in)	35 3/8
SIDE PANEL THICKNESS (in)	1 4/7

STANDAR FEATURES

Exterior:

- Epoxy painted steel sheet
- Double panel glass sides
- Adjustable feet

Interior:

- AISI 304 Stainless Steel.
- Stainless Steel internal panel perforated.
- Height and incline adjustable stainless steel shelves

Insulation:

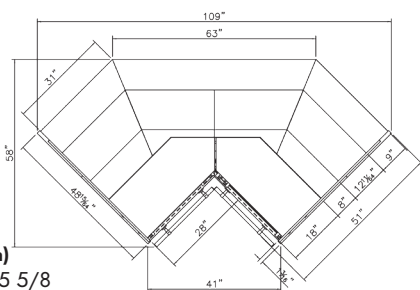
- CFC-Free polyurethane insulation, entire cabinet structure is foamed-in place using a high density polyurethane insulation.

Electrical and electronic controllers:

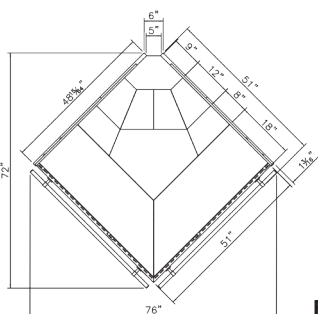
- Remote alarm signals.
- Encapsulated and sealed NTC temperature probes.
- Effective way to visualize temperature

Refrigeration:

- Digital temperature controller with automatic defrost system.



MEASURE (in)
109 x 50 1/4 x 35 5/8



MEASURE (in)
72 x 50 1/4 x 35 5/8

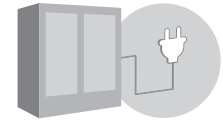
FLOOR PLAIN

EXPERIENCE SERIES

Experience supermarket counter for meat and deli
VEX · VEXIUCP

PLUG IN

FOR



AVAILABLE MODELS

VEX9UCP	VEX12UCP	VEX15UCP
VEX18UCP	VEX25UCP	VEX31UCP
VEX37UCP		

ELECTRICAL DATA: 115 / 220 V / 1Ph / 60 Hz

REFRIGERANT CONNECTION: R-290

PRODUCT TEMP: 33°F / 41°F

GENERAL DATA

MODEL	VEX9UCP	VEX12UCP	VEX15UCP	VEX18UCP	VEX25UCP	VEX31UCP	VEX37UCP
LENGTH (in)	37	49 1/5	61 1/2	73 5/6	98 3/7	123	147 2/3
TOTAL VOLUME (ft³)	7 4/9	10	12 2/5	14 8/9	19 6/7	24 5/6	29 4/5
TDA (ft²)	9 3/8	12 1/2	15 3/5	18 3/4	25	31 2/9	37 1/2

GENERAL DATA

MEASURE (in)	48 3/8 x 50 1/4 x **L (in)
SHELVES (in)	—
N° SHELVES	—
EXPOSITION DECK (in)	35 3/8
SIDE PANEL THICKNESS (in)	1 1/6

STANDAR FEATURES

Exterior:

- Epoxy painted steel sheet
- Double panel glass sides
- Adjustable feet

Interior:

- AISI 304 Stainless Steel.
- Stainless Steel internal panel perforated.
- Height and incline adjustable stainless steel shelves

Insulation:

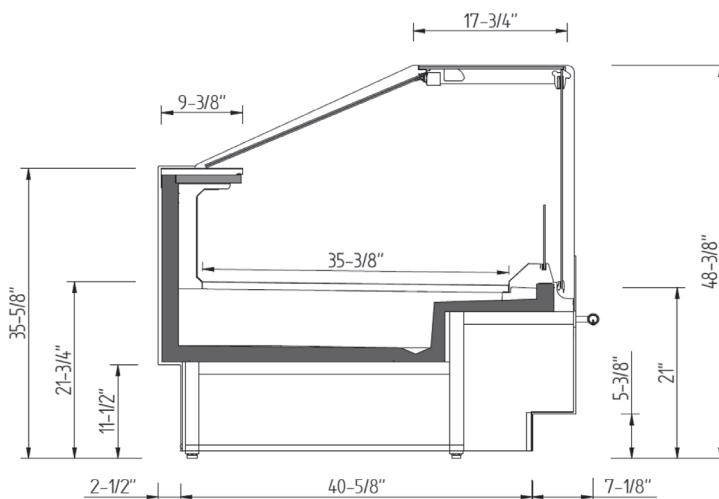
- CFC-Free polyurethane insulation, entire cabinet structure is foamed-in place using a high density polyurethane insulation.

Electrical and electronic controllers:

- Remote alarm signals.
- Encapsulated and sealed NTC temperature probes.
- Effective way to visualize temperature
- Cord and NEMA 6-20P plug. Electrical connections is 220V/ 1ph/ 60 Hz
- Cord and NEMA 5-20P plug. Electrical connections is 115V/ 1ph/ 60 Hz

Refrigeration:

- Digital temperature controller with automatic defrost system.



COMMERCIAL SECTION

EXPERIENCE SERIES

Experience supermarket counter for meat and deli
VEX · VEXIUCP CORNERS



PLUG IN



FOR



AVAILABLE MODELS

VEX90AAUCP VEX90ACUCP

ELECTRICAL DATA: 115 V / 1Ph / 60 Hz

REFRIGERANT CONNECTION: R-290

PRODUCT TEMP: 33°F / 41°F

GENERAL DATA

MODEL	VEX90AAUCP	VEX90ACUCP
LENGTH (in)	76	109
TOTAL VOLUME (ft³)	5	7 1/3
TDA (ft²)	—	—

GENERAL DATA

MEASURE (in)	SEE FLOOR PLAIN
SHELVES (in)	—
N° SHELVES	—
EXPOSITION DECK (in)	35 3/8
SIDE PANEL THICKNESS (in)	1 1/6

STANDAR FEATURES

Exterior:

- Epoxy painted steel sheet
- Double panel glass sides
- Adjustable feet

Interior:

- AISI 304 Stainless Steel.
- Stainless Steel internal panel perforated.
- Height and incline adjustable stainless steel shelves

Insulation:

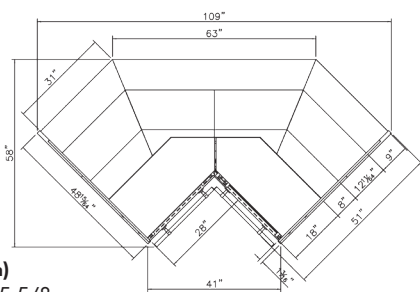
- CFC-Free polyurethane insulation, entire cabinet structure is foamed-in place using a high density polyurethane insulation.

Electrical and electronic controllers:

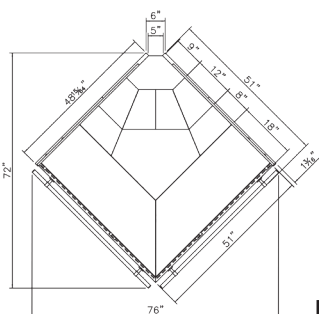
- Remote alarm signals.
- Encapsulated and sealed NTC temperature probes.
- Effective way to visualize temperature
- Cord and NEMA 6-20P plug. Electrical connections is 220V/ 1ph/ 60 Hz

Refrigeration:

- Digital temperature controller with automatic defrost system.



MEASURE (in)
109 x 50 1/4 x 35 5/8



MEASURE (in)
72 x 50 1/4 x 35 5/8

FLOOR PLAIN

EXPERIENCE SERIES

Experience hot display counter
VEX · VEXCPHT

WARM HOLDING CASE



HOT



AVAILABLE MODELS

VEX12CPHT

VEX25CPHT

ELECTRICAL DATA: 220 V / 1Ph or 3Ph / 60 Hz

PRODUCT TEMP: 131°F / 140°F

GENERAL DATA

MODEL	VEX12CPHT	VEX25CPHT
LENGTH (in)	51 4/7	100 4/5
TOTAL VOLUME (ft³)	11 1/2	22
TDA (ft²)	12	24

GENERAL DATA

MEASURE (in)	50 55/64 x 48 5/32 x **L (in)
SHELVES (in)	—
N° SHELVES	—
EXPOSITION DECK (in)	35 7/16
SIDE PANEL THICKNESS (in)	—

STANDAR FEATURES

Exterior:

- Epoxy painted steel sheet
- Glass sided panels
- Adjustable feet

Interior:

- AISI 304 Stainless Steel.
- Stainless Steel internal panel perforated.
- LED lighting in canopy and under each shelf.

Insulation:

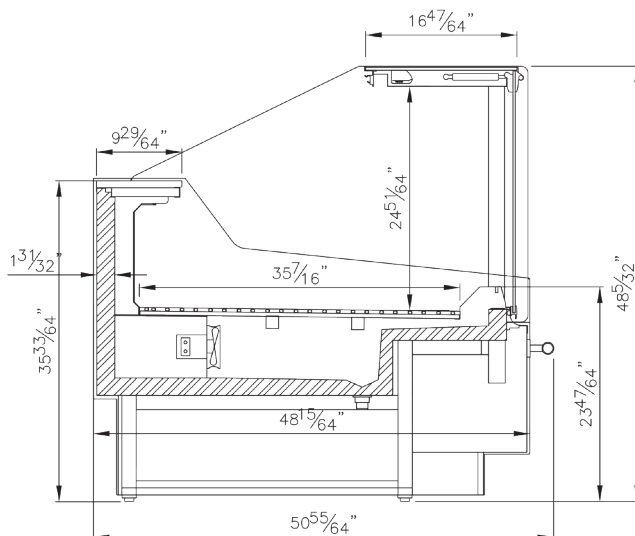
- CFC-Free polyurethane insulation, entire cabinet structure is foamed-in place using a high density polyurethane insulation.

Electrical and electronic controllers:

- Remote alarm signals.
- Encapsulated and sealed NTC temperature probes.
- Effective way to visualize temperature and monitor all processes through a digital screen.
- Electrical connections is 220 V/ 1ph/ 60 Hz or 220 V/ 3ph/ 60 Hz

Control:

- Digital temperature controller.
- Forced hot air movement.



COMMERCIAL SECTION

