

# 11. Supermarket & Grocery Stores

## Air curtains Supermarket

Models	Description	Page
IAG-SML09PCM1	Air curtains semi vertical	110
IAG-SML12PCM1	Air curtains semi vertical	110
IAG-SML12DCPCM1	Glass door semi vertical	110
IAG-SML18DCPCM1	Glass door semi vertical	110



## Medium temp Multideck

Models	Description	Page
IAG-ML09DCPCM1	Reach-in Merchandisers	111
IAG-ML12DCPCM1	Reach-in Merchandisers	111
IAG-ML18DCPCM1	Reach-in Merchandisers	111
IAG-ML09PCM1	Grab and Go Merchandisers	111
IAG-ML12PCM1	Grab and Go Merchandisers	111
IAG-ML18PCM1	Grab and Go Merchandisers	111





## Medium temp Stainless steel multideck

Models	Description	Page
IAG-ML09DCPIM1	Reach-in Merchandisers	112
IAG-ML12DCPIM1	Reach-in Merchandisers	112
IAG-ML18DCPIM1	Reach-in Merchandisers	112
IAG-ML09PIM1	Grab and Go Merchandisers	112
IAG-ML12PIM1	Grab and Go Merchandisers	112
IAG-ML18PIM1	Grab and Go Merchandisers	112



## Semi Plug-In Multideck

Models	Description	Page
IAG-ML12DGUM1	Glass door reach in refrigerator 81" height	114
IAG-ML18DGUM1	Glass door reach in refrigerator 81" height	114
IAG-ML25DGUM1	Glass door reach in refrigerator 81" height	114
IAG-ML37DGUM1	Glass door reach in refrigerator 81" height	114
IAG-ML12DGU22M1	Glass door reach in refrigerator 87" height	114
IAG-ML18DGU22M1	Glass door reach in refrigerator 87" height	114
IAG-ML25DGU22M1	Glass door reach in refrigerator 87" height	114
IAG-ML37DGU22M1	Glass door reach in refrigerator 87" height	114
IAG-MN2PBTUL1	2 Glass door reach in freezer	115
IAG-MN3PBTUL1	3 Glass door reach in freezer	115



## Deli - Display cases Straight glass

Models	Description	Page
IDC-VBC09 RIUCP / SCP	Deli display cases	116
IDC-VBC12 RIUCP / SCP	Deli display cases	116
IDC-VBC15 RIUCP / SCP	Deli display cases	116
IDC-VBC18 RIUCP / SCP	Deli display cases	116
IDC-VBC25 RIUCP / SCP	Deli display cases	116
IDC-VBC90ARIUCP	Deli display cases	116
IDC-VBC90CRIUCP	Deli display cases	116



## Fish - Display cases

Models	Description	Page
IDC-VRP13	Fish display cases	117
IDC-VML 12	Fish display cases	117
IDC-VML 15	Fish display cases	117
IDC-VML 18	Fish display cases	117





# Specifications



**IAG-SML09PCM1**



**IAG-ML09PIM1**



**IAG-ML12PIM1**

## **Sml Open**

### **Exterior**

- Black prepainted steel cabinet standard
- Glass sided panels
- Heavy duty ball transfer and levelling feet

### **Interior**

- Pull down night curtain
- Led lighting in canopy and under each shelf
- Black prepainted steel cabinet standard.

### **Shelving**

- [3] three rows of adjustable shelves
- Price channels included

## **Sml Glass Doors**

### **Exterior**

- Black prepainted steel cabinet standard
- Glass sided panels
- Heavy duty ball transfer and levelling feet

### **Interior**

- Sliding glass doors
- Led lighting in canopy and under each shelf
- Black prepainted steel cabinet standard.

### **Shelving**

- [3] three rows of adjustable shelves
- Price channels included

## **Refrigeration**

- Digital temperature controller with automatic defrost system
- Stainless steel evaporative pan system,
- Forced refrigeration system
- Refrigerant gas R 290
- Case engineered to operate at 75°F and 55% relative humidity

### **Electrical**

- 115v /1PH/60HZ/ 5-15/5-20P Plug



CM1



IAG-ML18DCPCM1

### Air curtains painted steel

#### Exterior

- Pull down night curtain
- Black prepainted steel cabinet standard
- Glass sided panels
- Heavy duty ball transfer and levelling feet
- Aisi 304 stainless steel (inox) *only Air curtains semi vertical glass sided*

#### Interior

- Led lighting in canopy and under each shelf
- Black prepainted steel cabinet standard.
- Aisi 304 stainless steel (inox) *only Air curtains semi vertical glass sided*

#### Shelving

- (4) Four rows of adjustable shelves
- Price channels included

#### Refrigeration

- Digital temperature controller with automatic defrost system
- Double stainless steel evaporative pan system, first, by hot gas, second, by electrical resistance - Extractable condensing unit for easy service
- Forced refrigeration system
- Refrigerant gas R290
- Case engineered to operate at 75°F and 55% relative humidity

#### Electrical

- 220V /1PH/60HZ/L14-30P Plug (Open merchandiser).
- 115v /1PH/60HZ/ 5-15/5-20P Plug (Glass door merchandiser).

### Air curtains stainless steel

#### Exterior

- Aisi 304 stainless steel
- Pull down night curtain
- Glass sided panels
- Heavy duty ball transfer and levelling feet

#### Interior

- Aisi 304 stainless steel
- Stainless steel internal panel perforated
- Led lighting in canopy and under each shelf

#### Shelving

- (4) Four rows of adjustable shelves
- Price channels included

#### Refrigeration

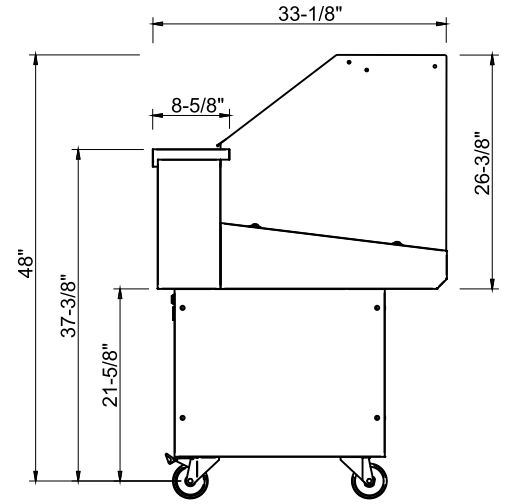
- Digital temperature controller with automatic defrost system
- Double stainless steel evaporative pan system, first, by hot gas, second, by electrical resistance - Extractable condensing unit for easy service
- Forced refrigeration system
- Refrigerant gas R290
- Case engineered to operate at 75°F and 55% relative humidity

#### Electrical

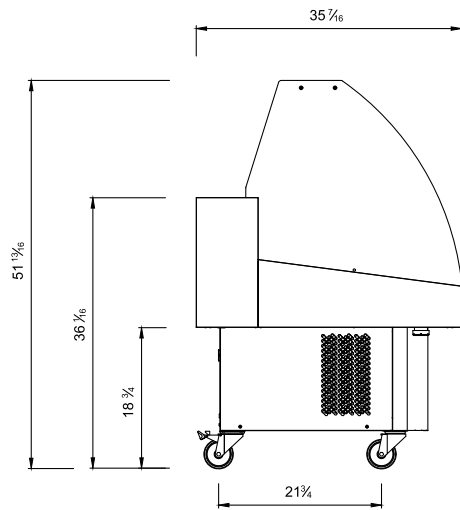
- 220V /1PH/60HZ/L14-30P Plug (Open merchandiser).
- 115v /1PH/60HZ/ 5-15/5-20P Plug (Glass door merchandiser).

Fish display cases

IDC-VRP 13



VRP



VML

IDC-VML15



MOD.	Overall Dimensions			°F	(ft <sup>3</sup> )	(HP)	115V (Amps)	[Lbs]	DOE
IDC-VRP 13	51-31/32	33-15/32	48	30°F/45°F	4.06	1/3	4.9	342	Hydrocarbon R-290
IDC-VML 12	49-1/5	35-7/16	52-1/2	30°F/45°F	8-7/9	1/4	8.37	342	Hydrocarbon R-290
IDC-VML 15	61-1/2	35-7/16	51-13/16	30°F/45°F	11	1/2	8.48	401	Hydrocarbon R-290
IDC-VML 18	73-5/6	35-7/16	52-1/2	30°F/45°F	13-1/6	3/4	10.92	430	Hydrocarbon R-290

<b>ELECTRICAL</b>	Cord and NEMA 5- 15 plug	115V / 1 ph / 60 Hz.
-------------------	--------------------------	----------------------

Display the fish on crushed ice