

MODEL: IDC-VC1400_2010_MDA_MDAB

Dry Again meat display case

GENERAL FEATURES



IDC-VC1400MDA



IDC-VC2010MDAB

- ✓ **Dry Again meat display case**, designed to carry out the process known as Dry Again in an easy, safe and controlled way, obtaining the best results in terms of flavor, texture and aromas. Interior with guides that allow a perfect hygiene. Its high precision digital controller guarantees optimum temperature and safe food storage.
- ✓ **Higher energy efficiency.** R290 refrigerant with electric fans, LED lighting and evaporative tray without electric resistances.
- ✓ **Sanitation.** Our units feature a hygienic design with rounded corners that have a large radius, making them easy to clean. Additionally, the shelves and runners inside the display can be quickly removed for thorough interior cleaning. Each unit is equipped with a trap at the bottom to facilitate cleaning.
- ✓ **Doors.** Self-closing door system features a permanent pressure mechanism, ensuring a secure closure every time. Our doors also include double chamber door gaskets that are easy to remove and snap in, ensuring an effective seal. Plus, for added flexibility, our doors are field reversible, allowing for easy installation and use in a variety of settings.
- ✓ **Control System.** Our temperature management system offers unparalleled precision, allowing for highly accurate temperature settings. With greater flexibility in adjusting temperature ranges, our system can be tailored to meet the unique needs of each end user. This ensures optimal performance and maximum satisfaction with every use.
- ✓ **Lighting.** LED lighting in the canopy and cabinet sides reduces the energy consumption by 80% to 90% compared to a traditional bulb, better light quality.
- ✓ **100% Tested.** All condenser units are 100% tested, in helium chambers for refrigerant leak detections.



MODEL: **IDCVC1400_2010_MDA_MDAB** *Dry Again meat display case*

STANDARD FEATURES

> Exterior

- AISI 304 Stainless Steel, (only models MDA).
- Black Lacquered Steel (only models MDAB).

> Interior

- AISI 304 Stainless Steel, (only models MDA).
- Lid AISI 304, (only models MDAB).
- Wide rounded corners to aid cleaning.
- LED lighting.
- Internal drain trap for easy cleaning.

> Doors

- Self – closing door with stay open feature.
- Stainless Steel heavy-duty hinges.
- Double chamber snap in door gaskets for easy removal and cleaning.

> Insulation

- CFC – Free polyurethane insulation, entire cabinet structure is foamed-in using a high- density polyurethane insulation.
- Low GWP & Zero ODP effect.

OPTIONAL FEATURES

- ✓ Electrical connections is:
 220 – 230 V / 1 ph / 50Hz (plug type varies), model IDC-VC1400MDA_MDAB: 7,43A and model IDC-VC2010MDA_MDAB: 7,48 A.
- ✓ Rear solid doors.

> Shelving

- (4) Plastic coated wire shelves - VC1400MDA_MDAB.
- (6) Plastic coated wire shelves – VC2010MDA_MDAB.
- Set of Stainless Steel shelf brackets.
- Easy remove for cleaning.
- Dimensions WxD: 24-13/64”x 17-3/4” (615x400 mm).

> Refrigeration

- Temperature regulated by digital control.
- Stainless Steel evaporative pan.
- Evaporator coil coated with anti-corrosion material 100% polyester.
- Refrigeration capacity:
 IMD-VC1400MDA_MDAB - 2119 Btu/h (14°F) / **621 W (-10°C)**.
 IMD-VC2010MDA_MDAB – 2119 Btu/h (14°F) / **621 W (-10°C)**.

> Electrical

- Cord and NEMA 5-15P plug.
- Electrical connection is 115V/ 1ph / 60 Hz.



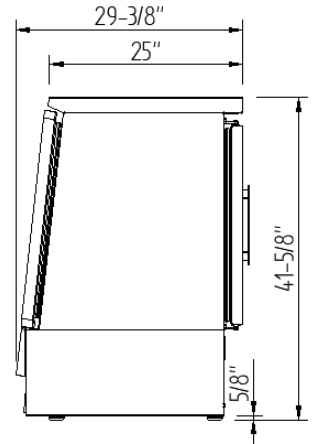
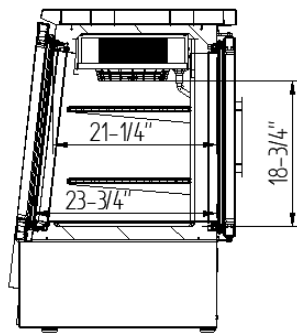
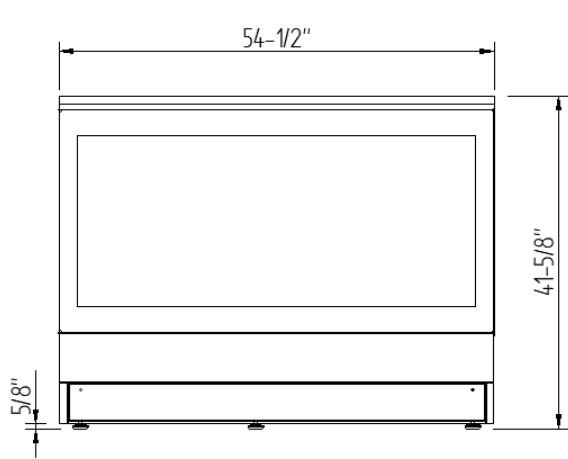
> ETL Listen to UL471 Standard and Sanitation classified to NSF7.

Project: _____
 Location: _____
 Item #: _____ Quantity: _____
 Model #: _____

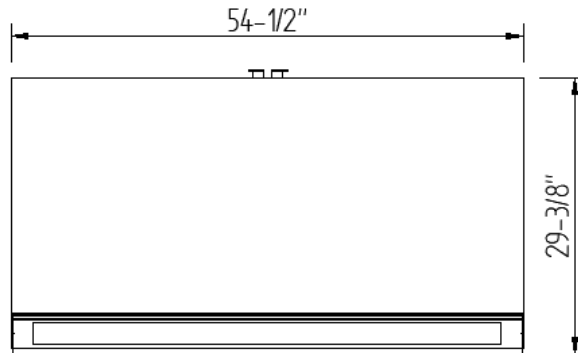
MODEL: IDCVC1400_2010_MDA_MDAB *Dry Again meat display case*

MODELS	Dimensions (inches) (mm)			Doors	Shelves	Ref.	Ref.Weight (Lbs.) (gr.)	Temperature Range (°F) (°C)	Cond. Unit (H.P)	Capacity (Cu.Ft.) (L)	Case Amps 115V	Net weight (Lbs.)
	W	D	H									
IDC-VC1400MDA_MDAB	54-1/2 (1.384)	29-3/8 (740)	41-5/8 (1.060)	2	2/2	R290	0,17 (80)	32 °F/61 °F (0°C/+16°C)	1/3	16,6 (470)	9,61	343 (156)
IDC-VC2010MDA_MDAB	79-1/8 (2.011)	29-3/8 (740)	41-5/8 (1.060)	4	3/3	R290	0,22 (100)	32°F/61 °F (0°C/+16°C)	1/3	25,07 (710)	9,66	467 (212)

ELEVATION RIGHT VIEW



PLAN VIEW



IDC-VC1400 MDA_MDAB

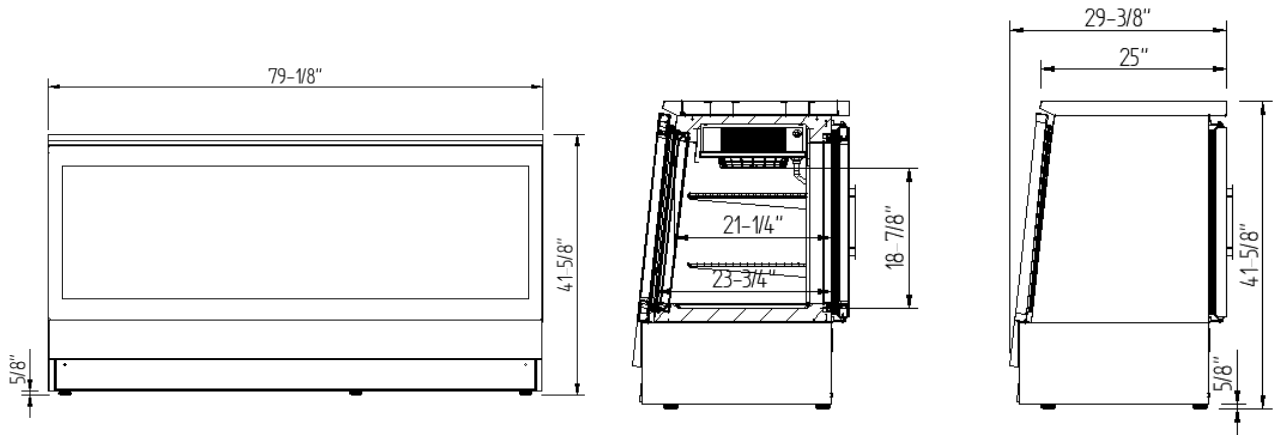
Revision: 01 Date: 04/17/2023 IDC- VC1400/2010 MDA MDAB

ETL LISTED TO UL471 STANDARD AND SANITATION CLASSIFIED TO NSF7 - WE RESERVE THE RIGHT TO CHANGE SPECIFICATIONS WITHOUT PRIOR NOTICE

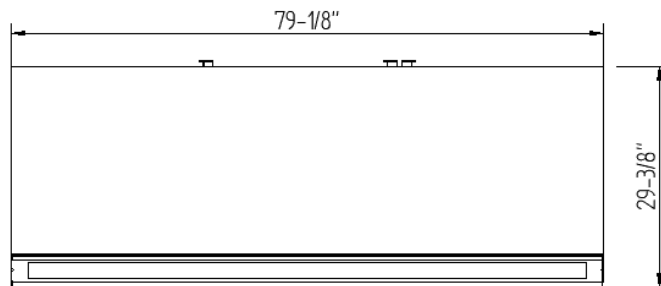


MODEL: **IDCVC1400_2010_MDA_MDAB** *Dry Again meat display case*

ELEVATION **RIGHT VIEW**



PLAN VIEW



IDC-VC2010 MDA_MDAB