

Project: \_\_\_\_\_  
 Location: \_\_\_\_\_  
 Item #: \_\_\_\_\_ Quantity: \_\_\_\_\_  
 Model #: \_\_\_\_\_

**MODEL: IMD-BST 1200\_1600\_N\_R Bar Station**



**General Strengths**

- ✓ **Higher energy efficiency.** R290 refrigerant with electronic fans and evaporative tray without electric resistances.
- ✓ **Sanitation.** The interior cabinet is built with rounded corners (extensive radius for easy cleaning). Quick ability to take off shelves and slides for interior cleaning. Each cabinet has a drain at the bottom of the unit. When cleaning the unit make sure the drain hose is routed to a floor drain.
- ✓ **Drawers.** All drawers include triple chamber door gaskets, easy to remove and snap in. Heavy-duty stainless-steel slides hold up to 440 lbs. Integrated handle and self-closing system.
- ✓ **Control System.** Greater ability for the adjustment of temperature range as per the end user's requirements.
- ✓ **100% Tested.** All condensing units undergo rigorous testing in helium chambers for refrigerant leak detection and a final equipment test in a state-of-the-art test room.
- ✓ **Certified.** Audited and Certified by INTERTEK for compliance with UL 471 and NSF 7.



**MODEL: IRT-BST 1200\_1600\_N\_R** *Bar Station*

**STANDARD FEATURES**

- **Exterior**
  - AISI 304 Stainless Steel.
- **Interior**
  - AISI 304 Stainless Steel.
- **Drawers**
  - Each drawer accommodates one full 12"x20" pans and three of 1/6 pans (pans not included).
  - Drawers with full-extension sliding rails for complete opening.
  - Drawers with integrated handle.
  - Accommodate up to 6" deep pan depths.
  - Heavy-duty stainless-steel drawer slides designed to hold up to 440 Lbs (200 Kg).

**OPTIONAL FEATURES**

- ✓ Electrical connections is:  
220 – 230 V / 1 ph / 50Hz (plug type varies).

- **Insulation**
  - Polyurethane with high density 40kg/m<sup>3</sup>, CFS free, zero ODP and low GWP.
  - Low GWP & Zero ODP effect.
- **Casters**
  - 4" diameter casters,
  - Locks provided on front set.
- **Refrigeration**
  - Temperature regulated by thermostatic control,
  - Stainless Steel evaporative pan,
  - Evaporator coil coated with anti-corrosion material 100% polyester,
  - Forced air refrigeration system,
  - Refrigeration capacity:  
IUC-BST1600R – 1262 Btu/h (14°F) / 370 W (-10°C).  
IUC-BST2000R - 1262 Btu/h (14°F) / 370 W (-10°C).

- **Electrical**
  - Cord and NEMA 5-15P plug,
  - 20-amp breaker required,
  - Electrical connection is 115V/ 1ph / 60 Hz.
- **ETL Listen to UL471 Standard and Sanitation classified to NSF7.**





Project: \_\_\_\_\_  
 Location: \_\_\_\_\_  
 Item #: \_\_\_\_\_ Quantity: \_\_\_\_\_  
 Model #: \_\_\_\_\_

**MODEL: IRT-BST 1200\_1600\_N\_R** *Bar Station*

MODELS	Dimensions (inches) (mm)			Shelves	Ref.	Ref.Weight (Lbs.) (gr.)	Temperature Range (°F) (°C)	Cond. Unit	Capacity (Cu.Ft.) (L)	Case Amps 115V	Net weight (Lbs.) (Kg.)
	W	D	H								
IMD-BST1600R	63 (1600)	33-5/8 (853)	41-5/8 (1059)	4	R290	0,24 (110)	28,4°F/46,4°F (-2°C/+8°C)	1/3	9 (255)	1,57	452 (205)
IMD-BST2000R	78-3/4 (2000)	33-5/8 (853)	41-5/8 (1059)	6	R290	0,26 (120)	28,4°F/46,4°F (-2°C/+8°C)	1/3	11 (310)	1,57	533 (242)
IMD-BST1200N	47-1/4 (1200)	33-5/8 (853)	37-1/8 (944)	-	-	-	-	-	-	-	172 (78)
IMD-BST1600N	63 (1600)	33-5/8 (853)	37-1/8 (944)	-	-	-	-	-	-	-	205 (93)
IMD-BST2000N	78-3/4 (2000)	33-5/8 (853)	37-1/8 (944)	-	-	-	-	-	-	-	236 (107)

Rev:01 Date: 09/09/2024 IUC-BST\_1600\_2000\_N\_R

ETL LISTED TO UL471 STANDARD AND SANITATION CLASSIFIED TO NSF7 – WE RESERVE THE RIGHT TO CHANGE SPECIFICATIONS WITHOUT PRIOR NOTICE

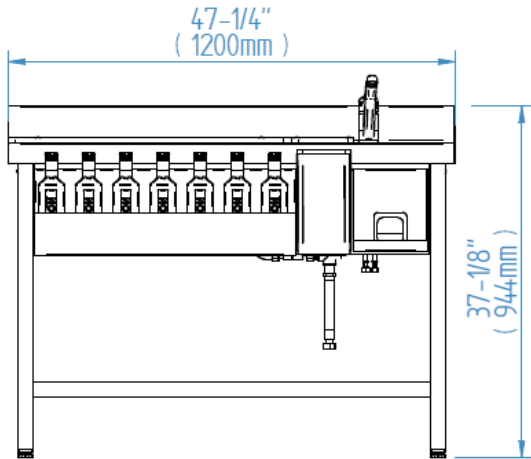


**INFRICO-North America Corporate División**  
 11200NW 25<sup>th</sup> St ste 123, Sweetwater. FL, 33172  
 (305) 777 9599

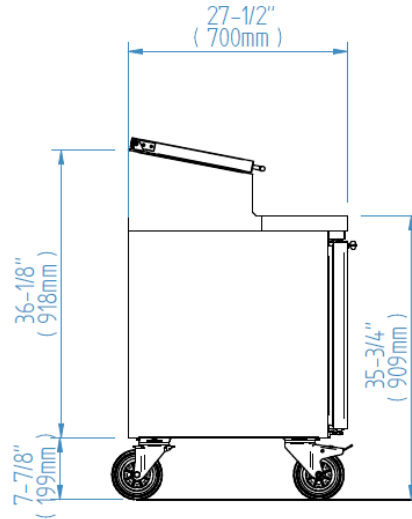
[www.infrico.us](http://www.infrico.us)  
[sales@infrico.com](mailto:sales@infrico.com)

**MODEL: IRT-BST 1200\_1600\_N\_R** *Bar Station*

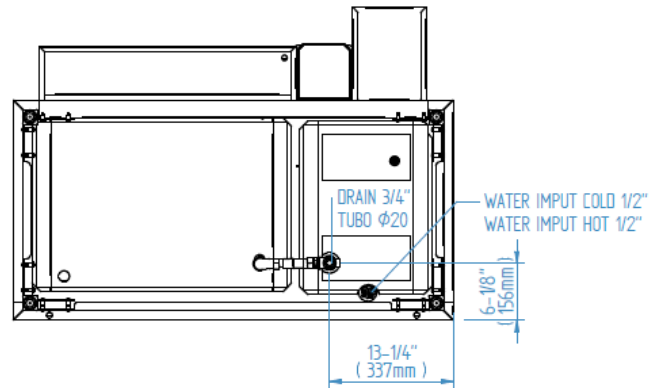
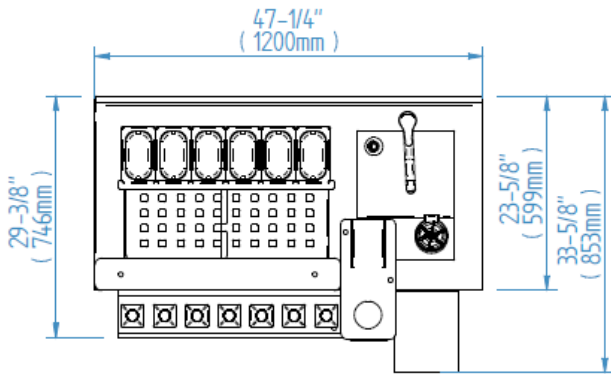
**ELEVATION**



**RIGHT VIEW**



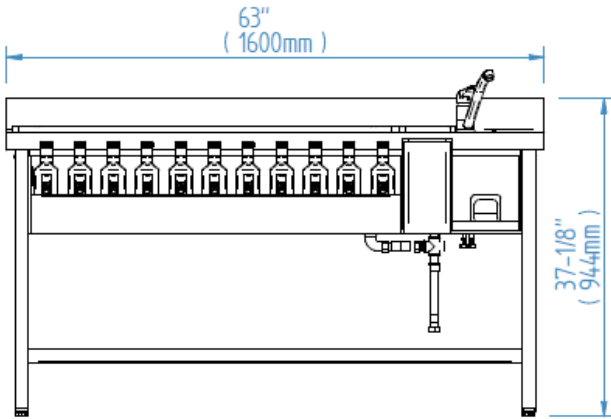
**PLANT VIEW**



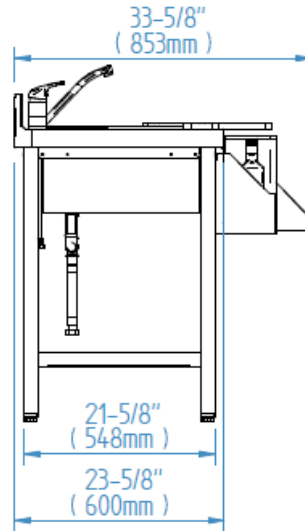
**IMD-BST1200N**

**MODEL: IRT-BST 1200\_1600\_N\_R Bar Station**

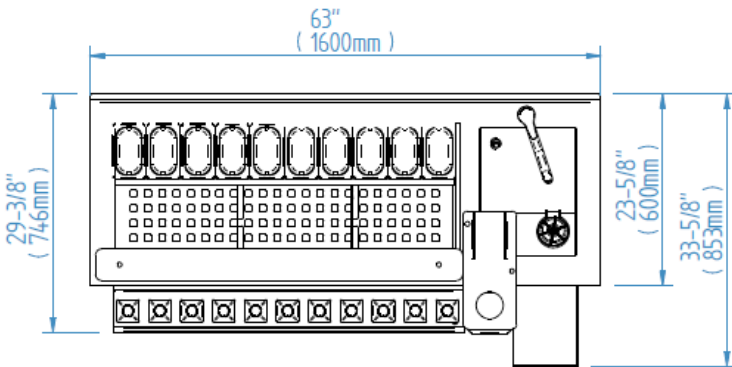
## ELEVATION



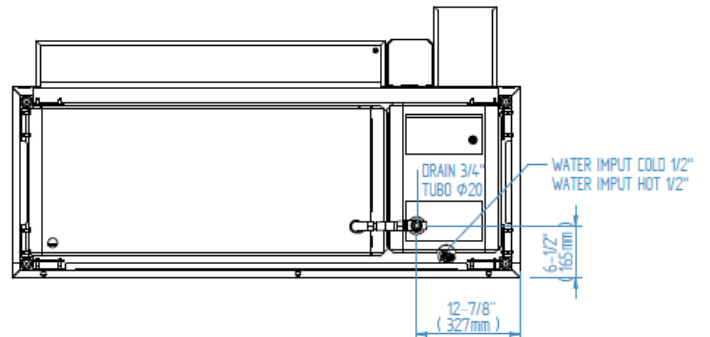
## RIGHT VIEW



## PLANT VIEW



**IMD-BST1600N**

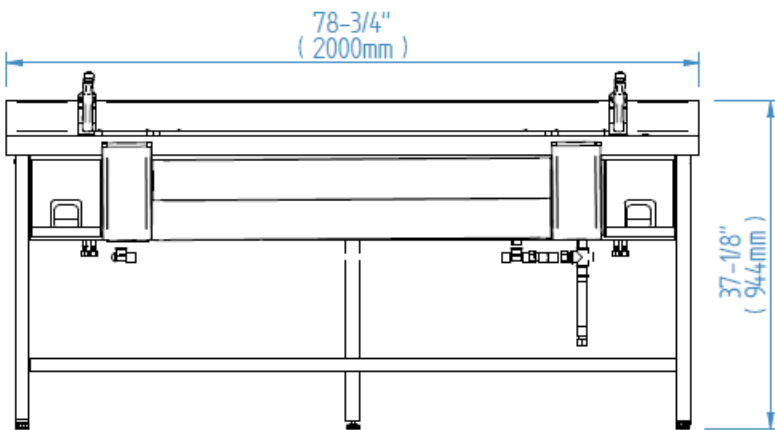


Rev:01 Date: 09/09/2024 IUC-BST\_1600\_2000\_N\_R

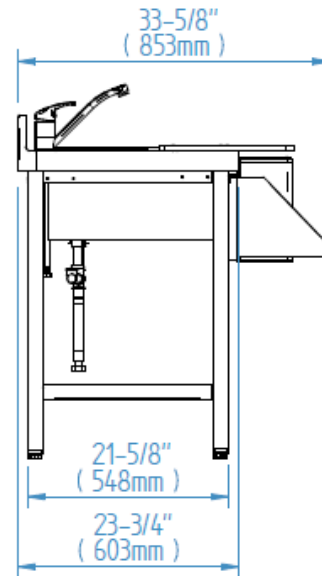
ETL LISTED TO UL471 STANDARD AND SANITATION CLASSIFIED TO NSF7 - WE RESERVE THE RIGHT TO CHANGE SPECIFICATIONS WITHOUT PRIOR NOTICE

**MODEL: IRT-BST 1200\_1600\_N\_R** *Bar Station*

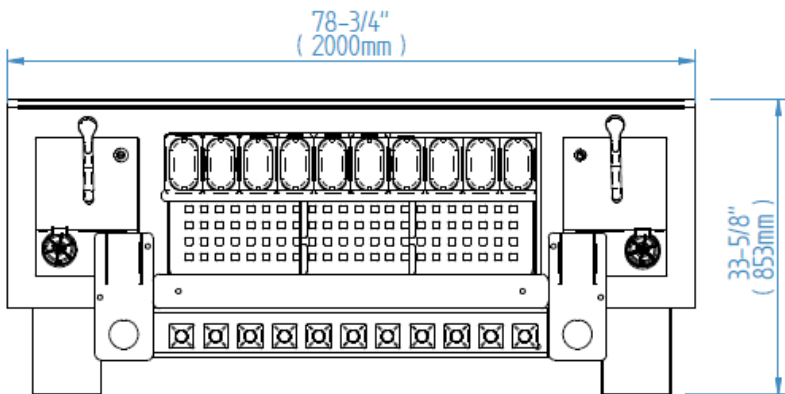
**ELEVATION**



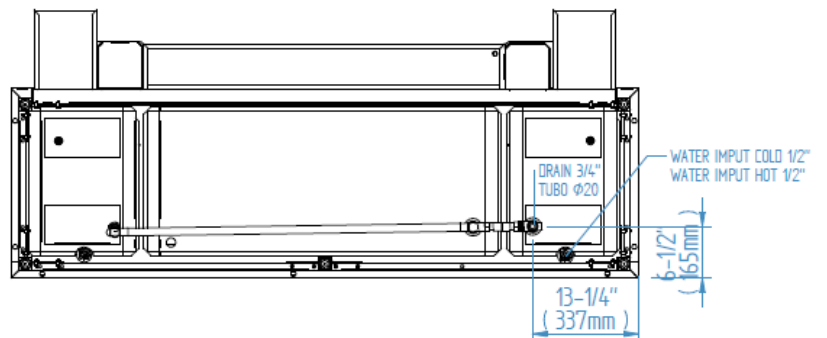
**RIGHT VIEW**



**PLANT VIEW**



**IMD-BST2000N**

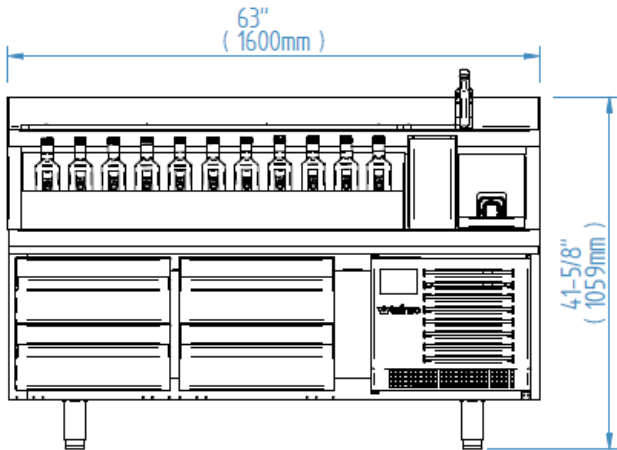


Rev:01 Date: 09/09/2024 IUC-BST\_1600\_2000\_N\_R

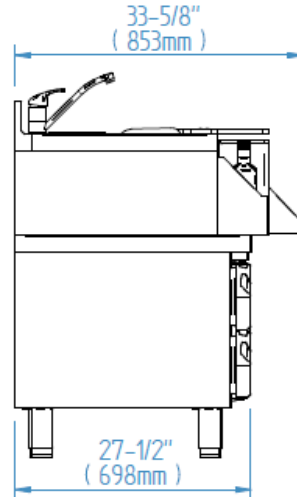
ETL LISTED TO UL471 STANDARD AND SANITATION CLASSIFIED TO NSF7 - WE RESERVE THE RIGHT TO CHANGE SPECIFICATIONS WITHOUT PRIOR NOTICE

**MODEL: IRT-BST 1200\_1600\_N\_R Bar Station**

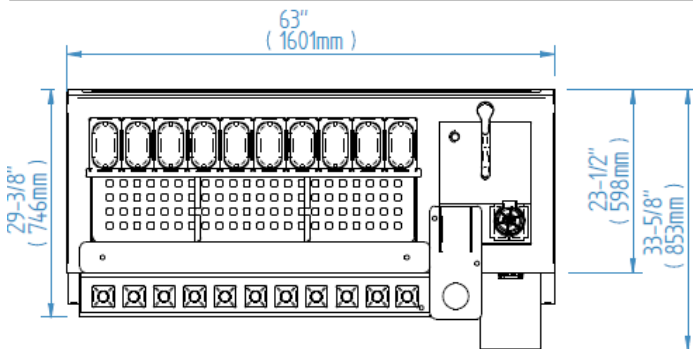
### ELEVATION



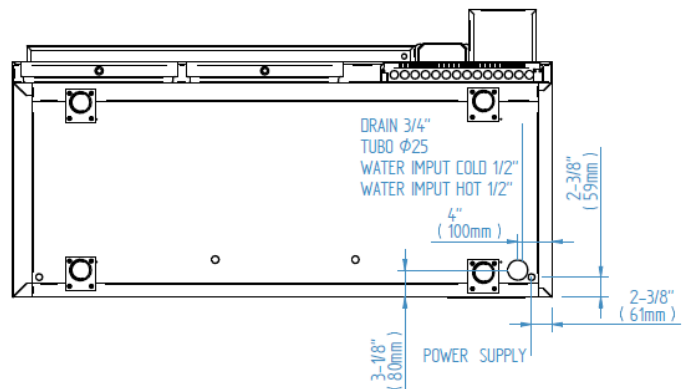
### RIGHT VIEW



### PLANT VIEW



**IMD-BST1600R**



Rev:01 Date: 09/09/2024 IUC-BST\_1600\_2000\_N\_R

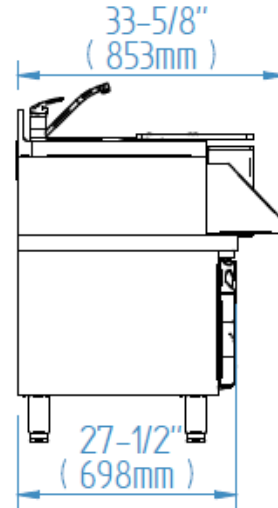
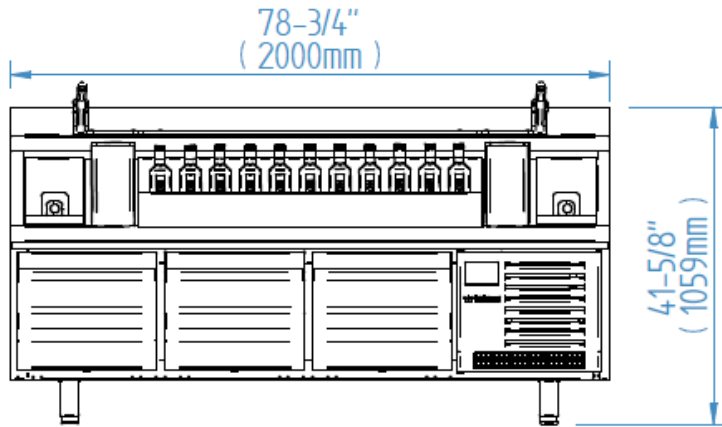
ETL LISTED TO UL471 STANDARD AND SANITATION CLASSIFIED TO NSF7 - WE RESERVE THE RIGHT TO CHANGE SPECIFICATIONS WITHOUT PRIOR NOTICE

Project: \_\_\_\_\_  
 Location: \_\_\_\_\_  
 Item #: \_\_\_\_\_ Quantity: \_\_\_\_\_  
 Model #: \_\_\_\_\_

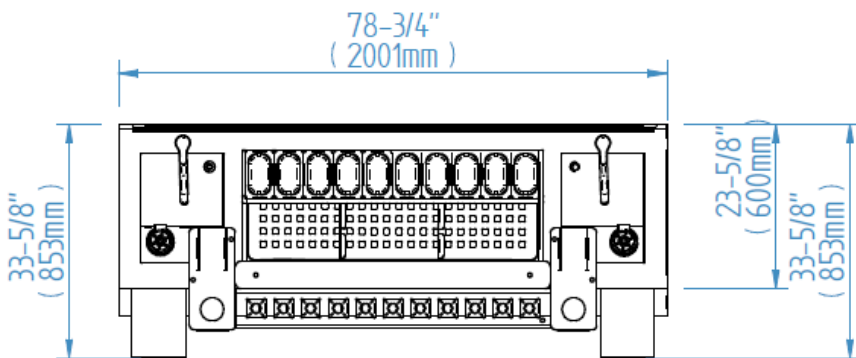
**MODEL: IRT-BST 1200\_1600\_N\_R** *Bar Station*

**ELEVATION**

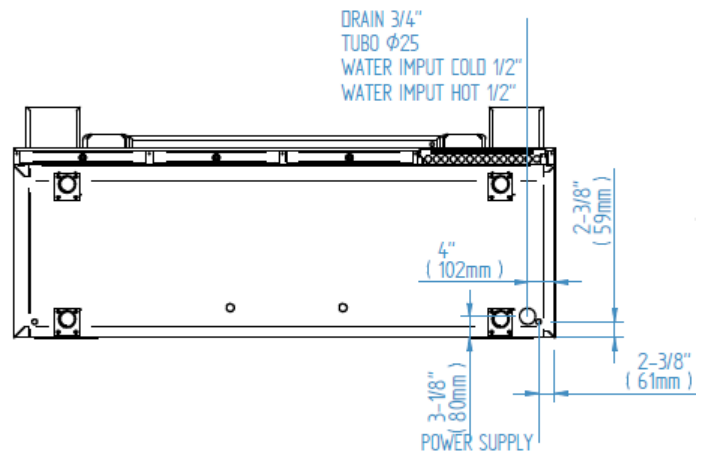
**RIGHT VIEW**



**PLANT VIEW**



**IMD-BST2000R**



Rev:01 Date: 09/09/2024 IUC-BST\_1600\_2000\_N\_R

ETL LISTED TO UL471 STANDARD AND SANITATION CLASSIFIED TO NSF7 - WE RESERVE THE RIGHT TO CHANGE SPECIFICATIONS WITHOUT PRIOR NOTICE