



AX-CL06D

**Full Size Combi Oven
Digital Controls - Reversing Fans - 6 Shelves**



Digital controls	Time, temperature, steam, 4 cooking cycles for each program, automatic pre-heating	Features
Load capacity	6 shelves for full size sheet pans	
High speed reversing fans	2 (3,200 rpm)	<ul style="list-style-type: none"> • Advanced airflow design • Automatic reversing fans - 2 speeds • Digital programmable controls / 99 program automatic pre-heating / 4 cooking cycles for each program • Interior halogen light • Includes electro valve for direct water connection • Core food probe included / Delta T Cooking • Adjustable steam percentage (0-100%) • Adjustable exhaust flue • Heavy duty stainless steel body construction • "Cold Door" design with double pane glass • Reinforced door hinges • Oven cavity is insulated with ultra-high temperature fiberglass insulation • 3 Stainless steel wire shelves • Micro safety switch shuts oven off when door is open • Self-cleaning cycles • Ovens can be stacked (kit required) • Warranty: 2 year parts & 1 year labor exclusive of lights, gaskets and glass (60 days)
Space between shelves	3.14" (80 mm)	
Power requirements	10.5Kw/208V/60/3 32A 14.0Kw/240V/60/3 36A Oven supplied with power cord only / no plug	
Temperature	86° - 500° F	
Equipped with	16 hour timer Signal at end of cycle	
Cavity size (inches)	28.35 x 22.20 x 24.10 (WxDxH)	
Unit dimensions (inches)	38.60 x 33.64 x 36.35 (WxDxH)	
Shipping dimensions (inches)	41.35 x 40.55 x 39.37 (WxDxH)	
Net / Ship weight	220 lb / 263 lb	

COMBI ACCESSORIES



AX-C6ST OVEN STAND

- Heavy duty oven stand with tray support
- Slides accommodate full size pans
- Dimensions: 23.30" x 20.87" x 31.50"
- Heavy duty stainless steel (assembly required)
- Shipping weight: 50 lbs
- Shipping dimensions: 37.40" x 24.80" x 7.88"



**125-R15
R15 CASTERS**

Set of 4
(2 with brakes)
For stand only



**124-KITC
STACKING KIT**



**125-0323
STACKING KIT
CASTERS**

Set of 4
(2 with brakes)



**125-0325
STACKING
CASTER SET**

(4 casters- 2 braked)
(2 support brackets)



**139-0002
DEGREASER**

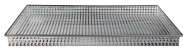


**139-0001
COMBI CLEANER**



**124-WDFA
WATER FILTER**

COMBI OVEN TRAYS



**124-GP31
FRY GRID**



**124-GP32
GRIDDLE GRID**



**124-GP28
GRANITE
MULTI-BAKING
TRAY**



**124-GP36
MULTIFUNCTIONAL
NON STICK
ALUMINUM TRAY**



**124-PT12
60X40
ALUMINUM
PERFORATED TRAY**



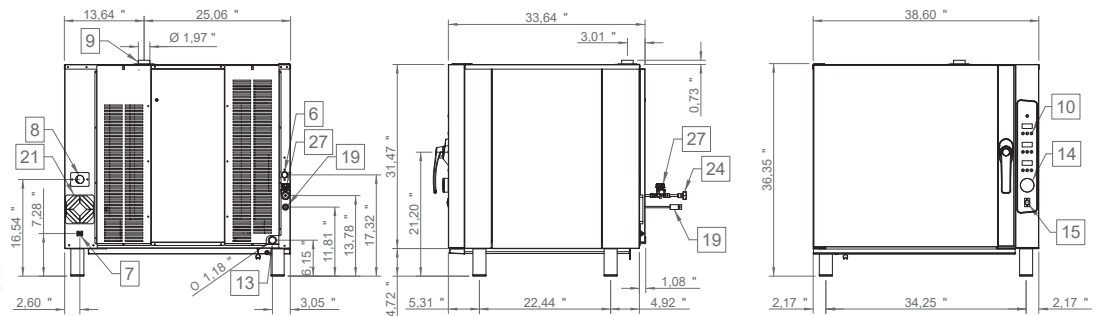
**124-PT13
60X40
ALUMINUM
TRAY**



**124-PG15
SHELF RACK**

LINE DRAWINGS

AX-CL06D



3560 NW 56th Street
Fort Lauderdale, FL, United States 33309
Telephone: 786.600.4687 / Toll Free: 844.218.8477
Fax: 786.661.4100

5659 Royalmount Ave.
Montreal, QC, Canada H4P 2P9
Telephone: 514.737.9701 / Toll Free: 888.275.4538
Fax: 514.342.3854 / Toll Free: 877.453.8832
sales@mvpgroupcorp.com / mvpgroupcorp.com