



Flowerwheel  
Slicer AX-VOL12  
AX-VOL14

## Flowerwheel Slicer

The Axis deluxe edition flowerwheel slicer is designed in Italy and is renowned for decades as the most reliable slicer for prosciutto.

It is designed in brilliant red gloss high baked enamel with nostalgic appeal for an eye catcher in any décor.

Built in aluminum with internal parts of steel, this gem is fully hand operated and therefore can be used in places without a power supply.

The incorporated sharpener makes it easy to sharpen and helps keep the blade consistently sharp to ensure the perfect cut.

These Volano slicers are equipped with a protection ring around its blade to meet the most stringent safety standards all over the world.

The glossy paint allows for the unit to be easily cleaned with a damp cloth.

A matching pedestal may be purchased as an option.



Sold Separately



12" / 14" Flowerwheel slicer

Axis is a registered trademark of MVP Group Corp.



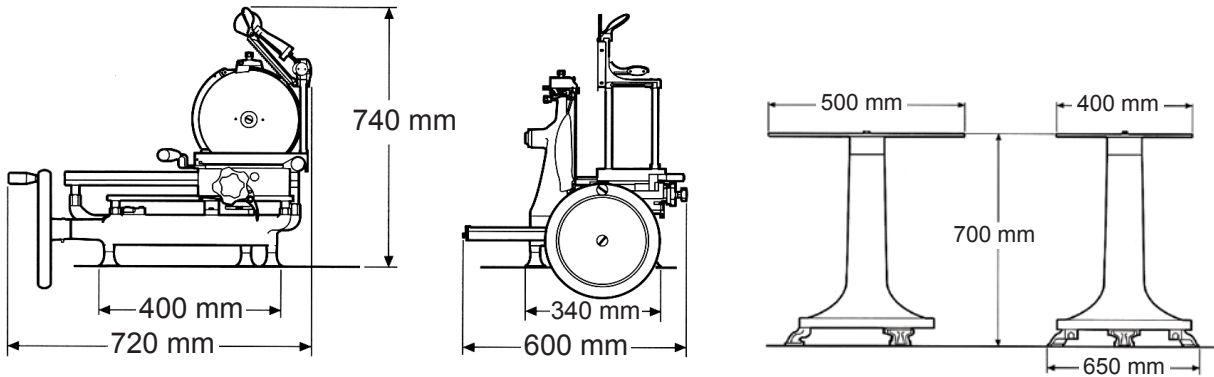
3560 NW 56th Street  
Fort Lauderdale, FL, United States 33309  
Telephone: 786.600.4687 / Toll Free: 844.218.8477  
Fax: 786.661.4100

5659 Royalmount Ave.  
Montreal, QC, Canada H4P 2P9  
Telephone: 514.737.9701 / Toll Free: 888.275.4538  
Fax: 514.342.3854 / Toll Free: 877.453.8832  
sales@mvpgroupcorp.com / mvpgroupcorp.com

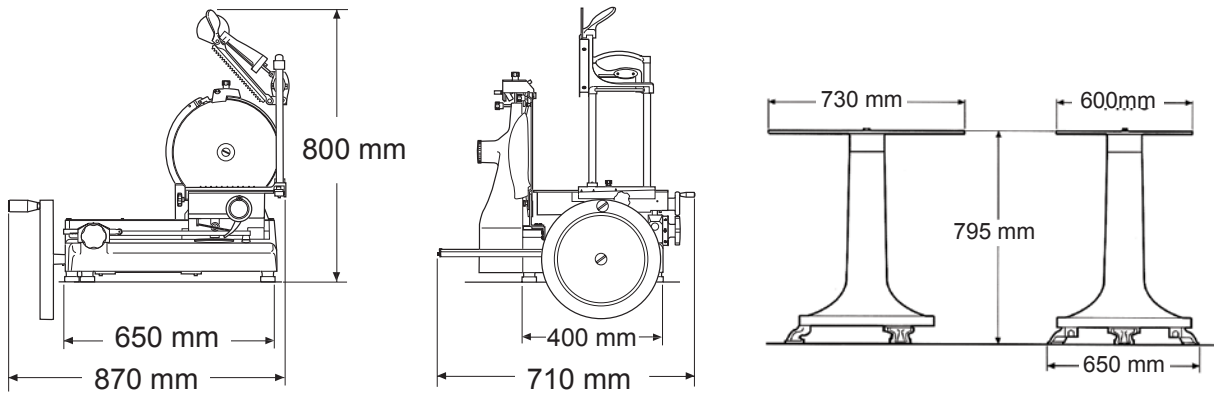


Flowerwheel  
Slicer AX-VOL12  
AX-VOL14

AX-VOL12



AX-VOL14



**AXIS 12" / 14" Flowerwheel slicer**

Model	Blade Size	Cutting Size	Cut Thickness	Product Dimensions	Pedestal (Optional Item Sold separately)	Net Weight	Ship Weight
AX-VOL12	12" 300mm	9" x 7.5" 228.6 x 190.5 mm	0-2 mm	30" x 30" x 27" 762 x 762 x 686 mm	169 lbs 76.7 kg	100 lbs 45kg	169 lbs 76.7 kg
AX-VOL14	14" 350mm	9" x 7.5" 228.6 x 190.5 mm	0-2.5 mm	37" x 33" x 38" 940 x 838 x 965 mm	176 lbs 80 kg	178 lbs 80.7kg	198 lbs 90 kg

Due to continuing product development, to ensure the best possible performance, the specifications are subject to change without prior notice.

Axis is a registered trademark of MVP Group Corp.



3560 NW 56th Street  
Fort Lauderdale, FL, United States 33309  
Telephone: 786.600.4687 / Toll Free: 844.218.8477  
Fax: 786.661.4100

5659 Royalmount Ave.  
Montreal, QC, Canada H4P 2P9  
Telephone: 514.737.9701 / Toll Free: 888.275.4538  
Fax: 514.342.3854 / Toll Free: 877.453.8832  
sales@mvpgroupcorp.com / mvpgroupcorp.com