

Durable Design

- Elegant slanted double paned front glass
- Front, sides and doors are tempered glass
- Inside deck is stainless steel finish
- Stainless steel shelf
- Forced air refrigeration

Energy Efficiency

- All units utilize R134a refrigerant which is CFC and HCFC free
- The cabinet is filled with high density polyurethane insulation
- LED interior lighting

Superior Quality

- Removable sliding rear doors for easy access
- Product stop on shelf
- Easy to use digital display temperature control panel
- Anti-condensate system for front glass

Refrigerated Display Cases

Can be used as a countertop display or as a drop-in display

KCD-36 and KCD-48



Model Number	Description	Capacity (cubic feet)	External Dimensions w/handle (W x D x H in)	Compressor Size	Voltage / Frequency	Amps	Working Temp	Refrigerant	Shipping Dimensions (WxDxH)	Ship Weight (lbs)
KCD-36	Counter top Display	5.15	35.4 x 19.6 x 29.1	¼ HP	115/60/1	4.63	36-40°F	R134A	38x22.5x36	276
KCD-48	Counter top Display	7.0	47.2 x 19.6 x 29.1	¼ HP	115/60/1	5.13	36-40°F	R134A	50x22.5x36	331

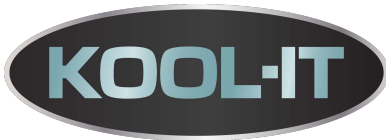


Project Name:	
Location:	
Item:	Qty:
Model:	

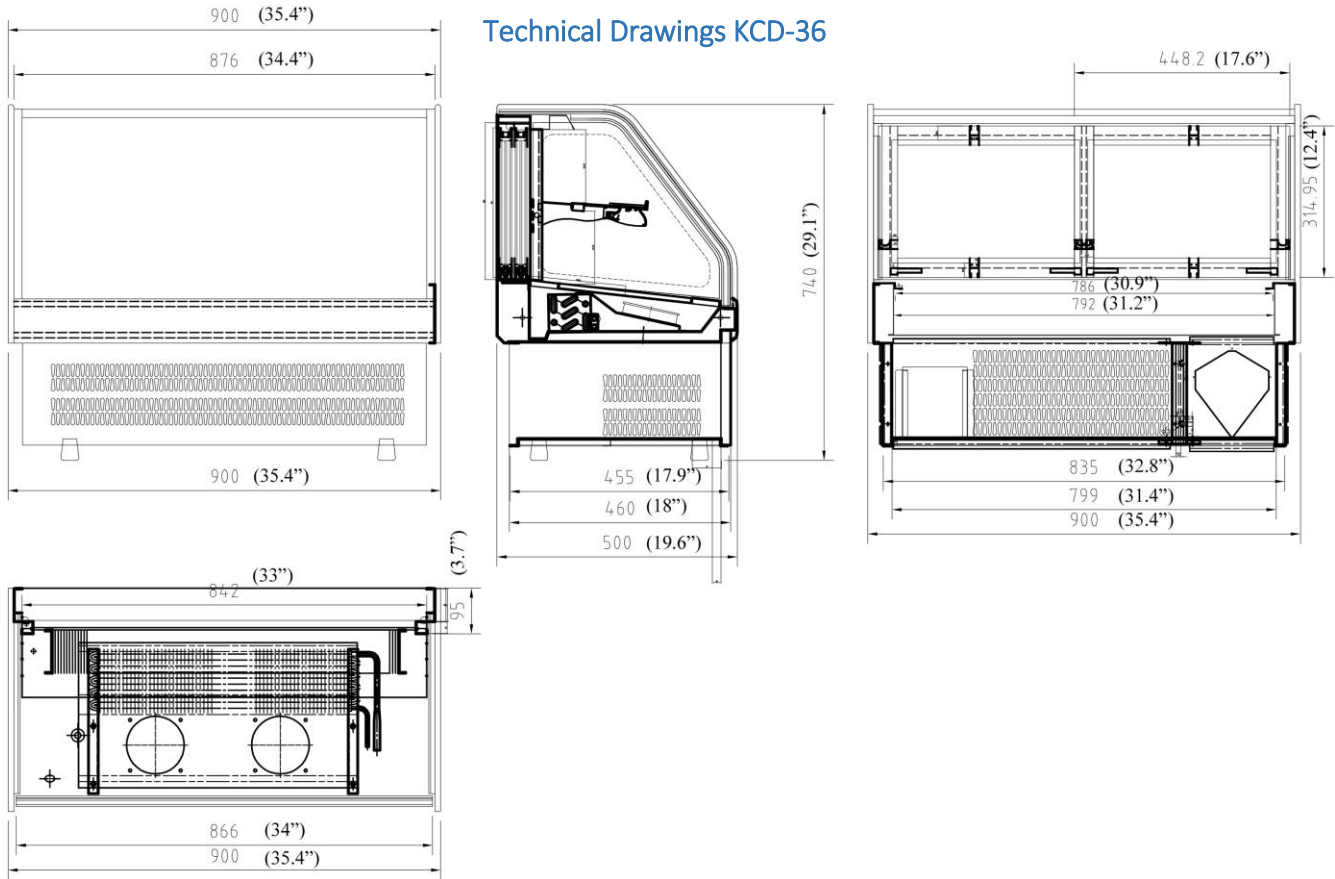


3560 NW 56th Street
 Fort Lauderdale, FL, United States 33309
 Telephone: 786.600.4687 / Toll Free: 844.218.8477
 Fax: 786.661.4100

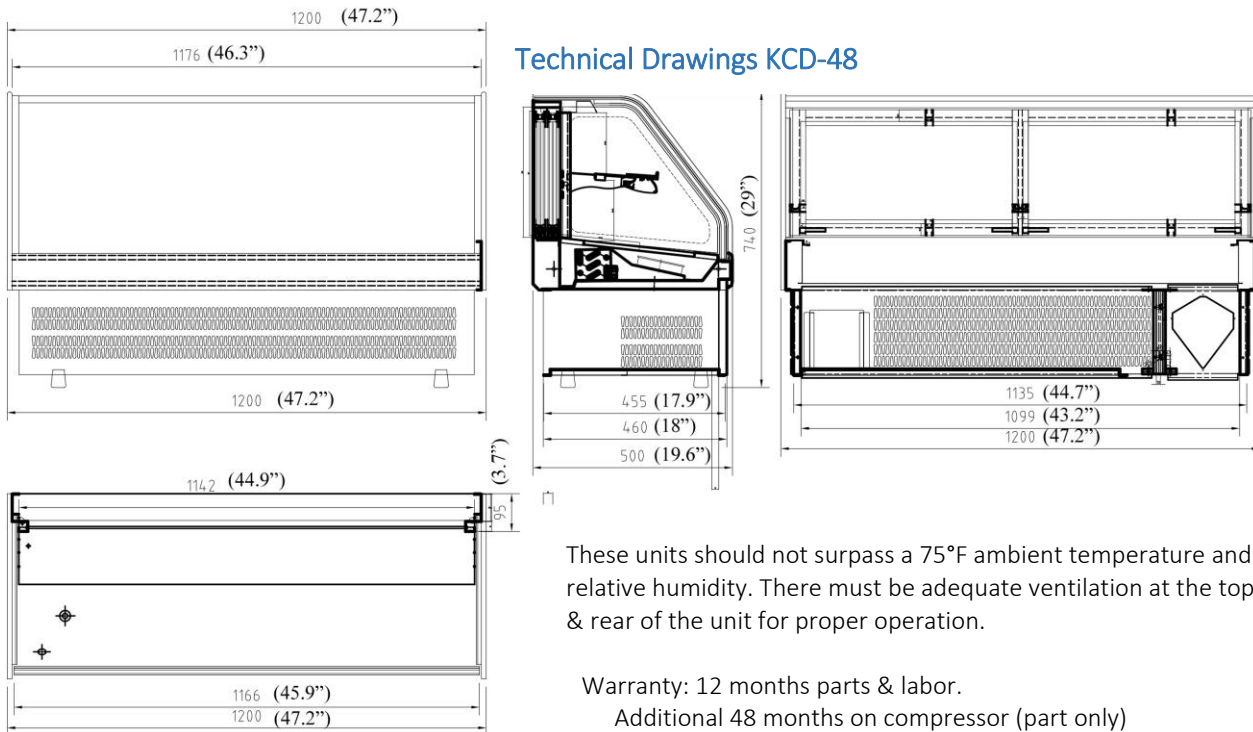
5659 Royalmount Ave.
 Montreal, QC, Canada H4P 2P9
 Telephone: 514.737.9701 / Toll Free: 888.275.4538
 Fax: 514.342.3854 / Toll Free: 877.453.8832
 sales@mvpgroupcorp.com / mvpgroupcorp.com



Technical Drawings KCD-36



Technical Drawings KCD-48



These units should not surpass a 75°F ambient temperature and 55% relative humidity. There must be adequate ventilation at the top, sides & rear of the unit for proper operation.

Warranty: 12 months parts & labor.
 Additional 48 months on compressor (part only)

KOOL-IT is a registered trademark of MVP Group. Specifications subject to change



3560 NW 56th Street
 Fort Lauderdale, FL, United States 33309
 Telephone: 786.600.4687 / Toll Free: 844.218.8477
 Fax: 786.661.4100

5659 Royalmount Ave.
 Montreal, QC, Canada H4P 2P9
 Telephone: 514.737.9701 / Toll Free: 888.275.4538
 Fax: 514.342.3854 / Toll Free: 877.453.8832
 sales@mvpgroupcorp.com / mvpgroupcorp.com