

KOOL-IT

Signature

LX-34RB

SINGLE GLASS DOOR MERCHANDISER REFRIGERATOR

Highly efficient and spacious refrigerator providing perfect temperature preservation and performance.



NEMA 5-15P

Signature 40/80 Warranty
40 months parts and labor
80 months on compressor (part only)

KEY FEATURES



• Eco-Friendly Refrigerant

Environmentally friendly R290 hydrocarbon refrigerant has low Global Warming Potential (GWP). Meets all USA, California & Canada refrigerant & energy standards.



• Intelligent Electronic Control

Patented ETC1H electronic controller assures optimal refrigeration performance through precision temperature control, and intelligent control for defrost cycle, compressor & other component functions.



• High Power Reliable Refrigeration System

Fast pull down, optimal internal air circulation and reliable refrigeration, maintaining cooler temperatures for food preservation.



• Standard LED Lighting System

Ultra bright low energy interior LED illumination system provides optimal merchandise display visibility. Low profile, door mounted, clip-in LED design.



• Newly Designed Condenser

New condenser featuring a joints reduction down to zero increasing long term refrigeration reliability and safeguarding against any system leaks.



• Spark-Free Refrigeration Components

All Reach-In models have spark free refrigeration components for optimal safety, per UL requirements.



3560 NW 56th Street
Fort Lauderdale, FL, United States 33309
Telephone: 786.600.4687 / Toll Free: 844.218.8477
Fax: 786.661.4100

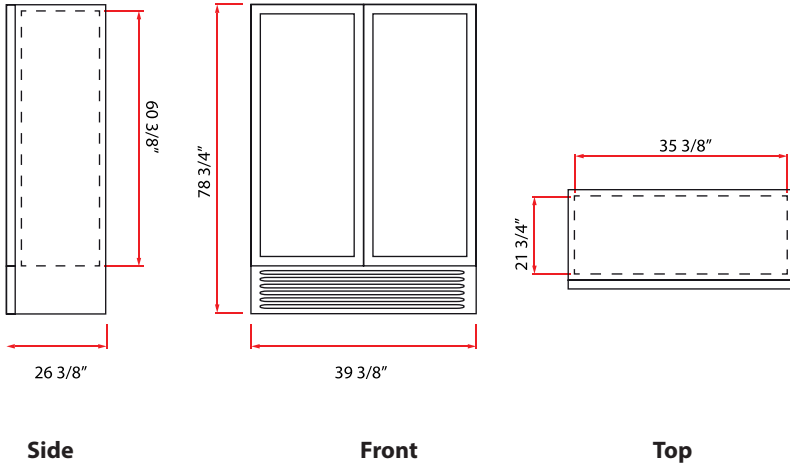
5659 Royalmount Ave.
Montreal, QC, Canada H4P 2P9
Telephone: 514.737.9701 / Toll Free: 888.275.4538
Fax: 514.342.3854 / Toll Free: 877.453.8832
sales@mvpgroupcorp.com / mvpgroupcorp.com



LX-34RB

SINGLE GLASS DOOR MERCHANDISER REFRIGERATOR

PRODUCT VIEWS



TECHNICAL SPECIFICATIONS

Exterior Dimensions		Interior Dimensions		
W:	39 3/8" (100 cm)	W:	35 3/8" (90 cm)	
D:	26 3/8" (67 cm)	D:	21 3/4" (55 cm)	
H:	78 3/8" (200 cm)	H:	60 3/8" (154 cm)	
Usable Interior Capacity		Usable Volume		
W:	30 7/8" (78 cm)	26.1 Cu Ft 739.6 L		
D:	18 7/8" (48 cm)			
H:	53 7/8" (137 cm)			
Doors	Material	Shelves	Shelf Size	
2	V7 Plastic Frame	10	W:	15 7/8" (40 cm)
			D:	19 3/8" (49 cm)
Exterior Material		Pre-painted steel		
Interior Material		Pre-painted steel		

ADDITIONAL FEATURES



Manual Lock - External lock available



Gravity kit - Visi-Slide product display technology



Price Kit - Available for shelf display



Casters or legs are available options

REFRIGERATION PERFORMANCE

Refrigerant	Energy Consumption
R290 / 2.8 oz (0.080 kg)	2.262 kWh/24h
Compressor Power	Condenser
1/3 HP	Finless (low maintenance)
Thermostat default setting	32°F (0°C) to 44.6°F (7°C)

ELECTRICAL

Power Supply	Amps	Lighting
115V/60Hz	7.5A	155 Lux Output 18 modules, 8 LED per
Plug Type	Controller	Cord Length
NEMA 5-15P	ETC1H	122" (310 cm)

LOGISTICS

Trailer Loads	Unit Weight	Shipping Dimensions	
53': 46	328.5 lb (149 kg)	W:	40 7/8" (104 cm)
	Shipping Weight	D:	27 7/8" (71 cm)
	359.4 lb (163 kg)	H:	80 1/8" (204 cm)