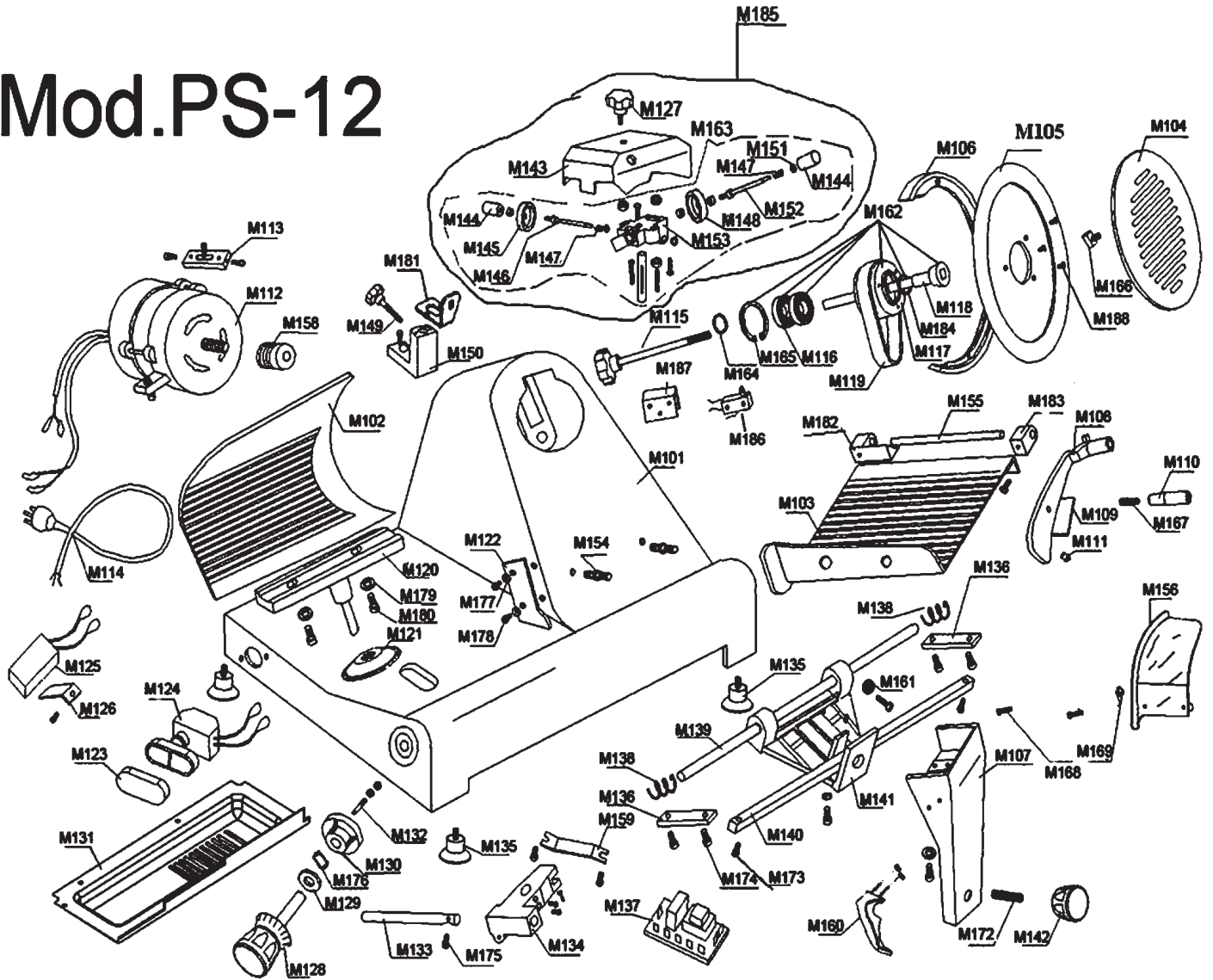
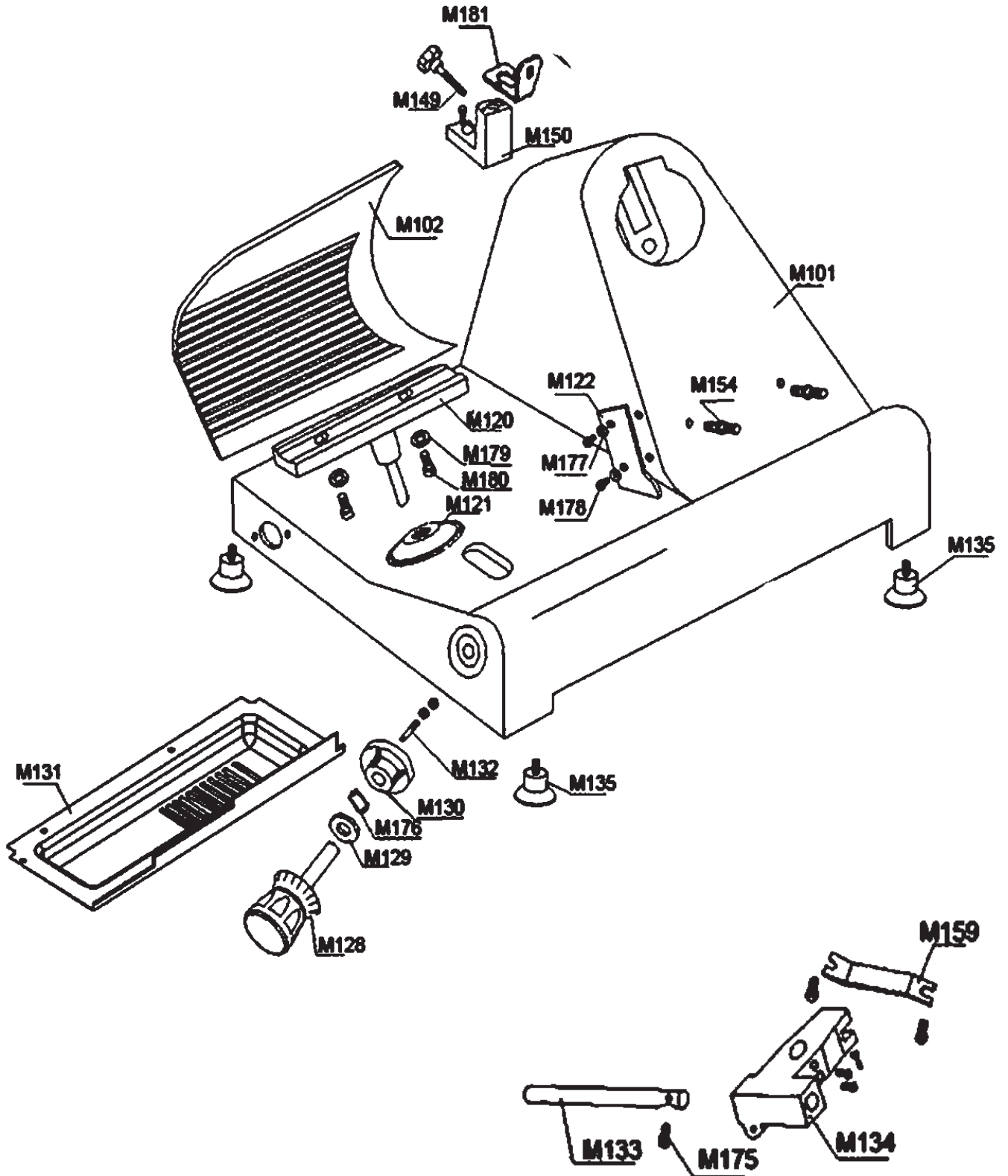
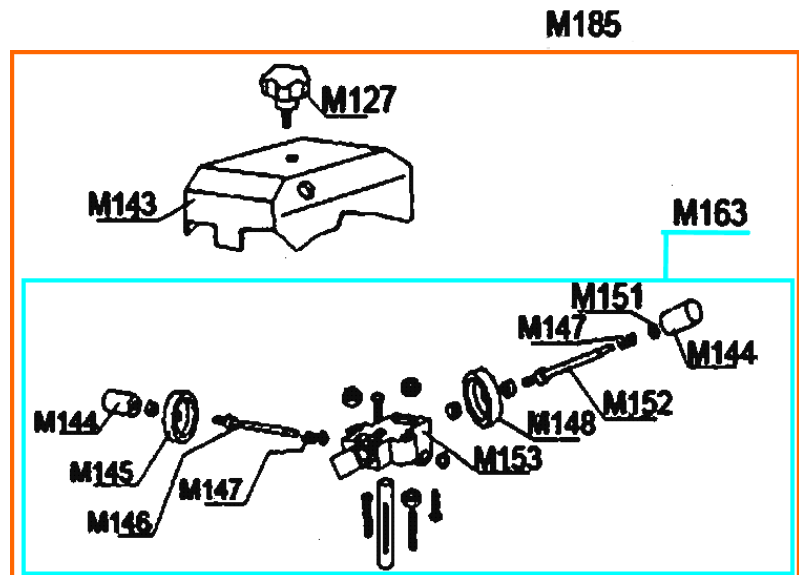
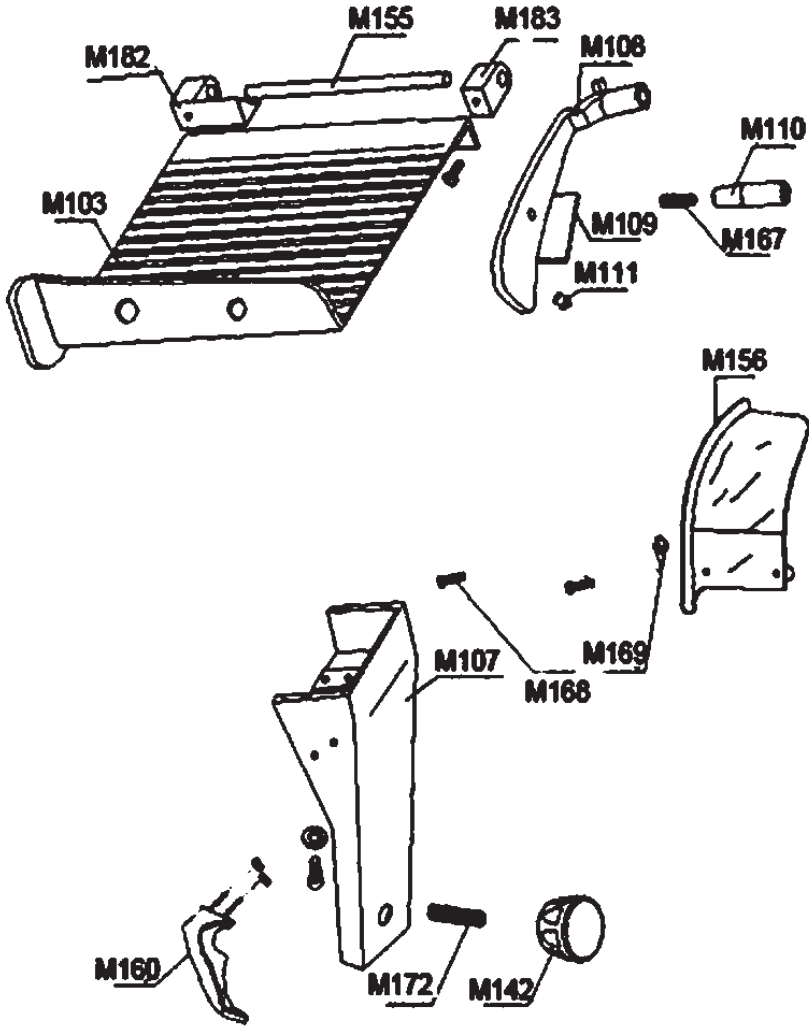


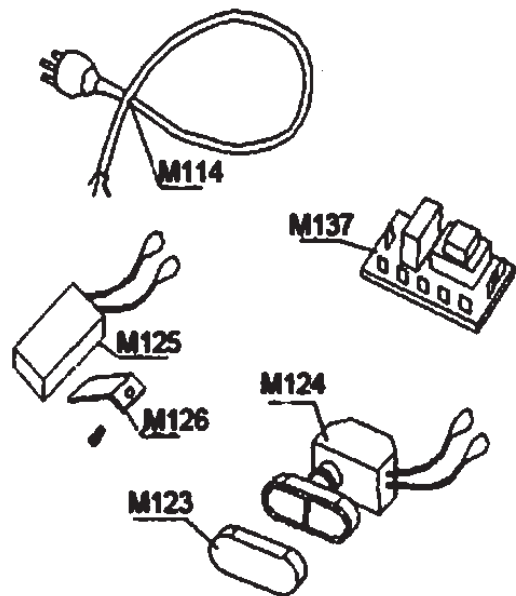
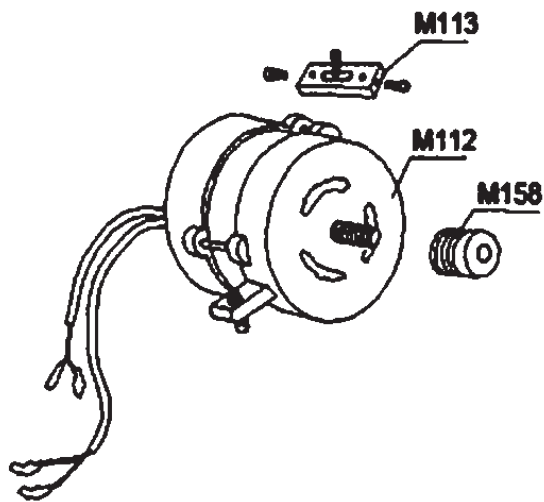
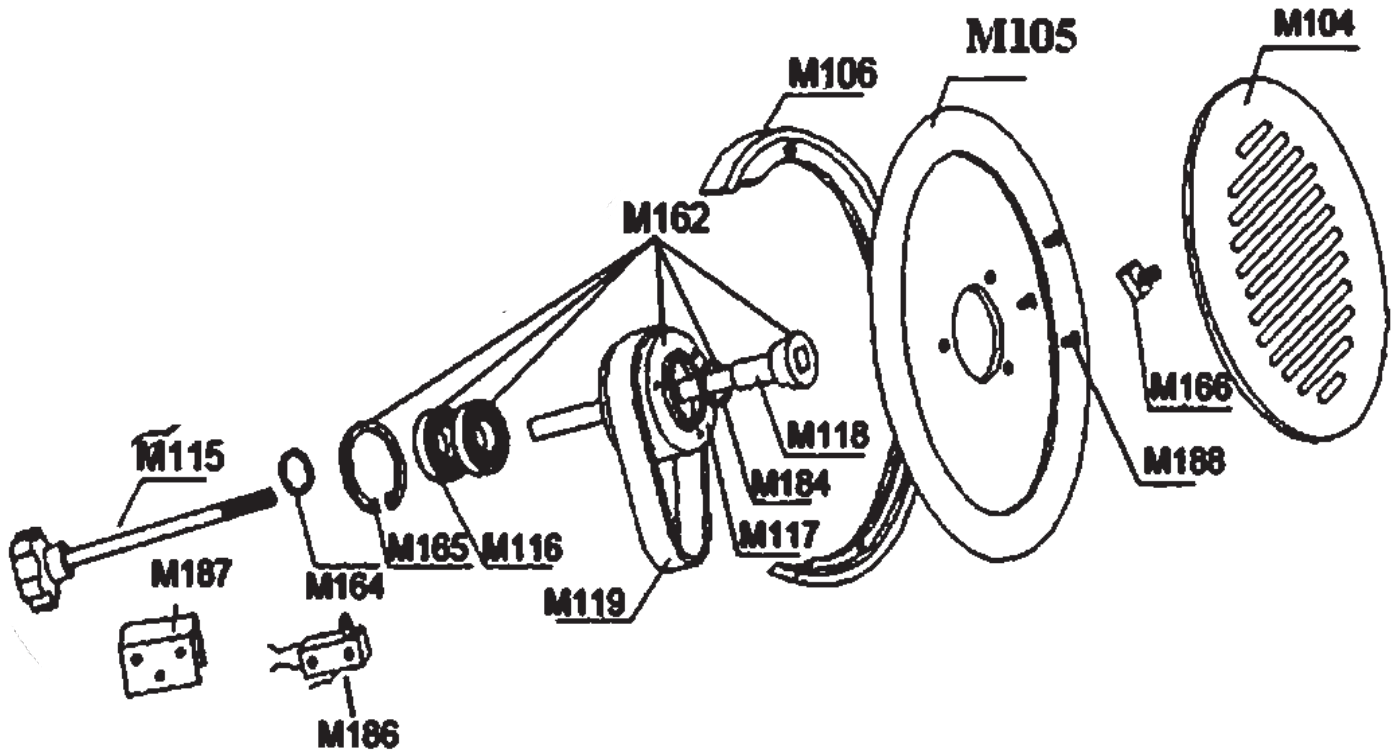


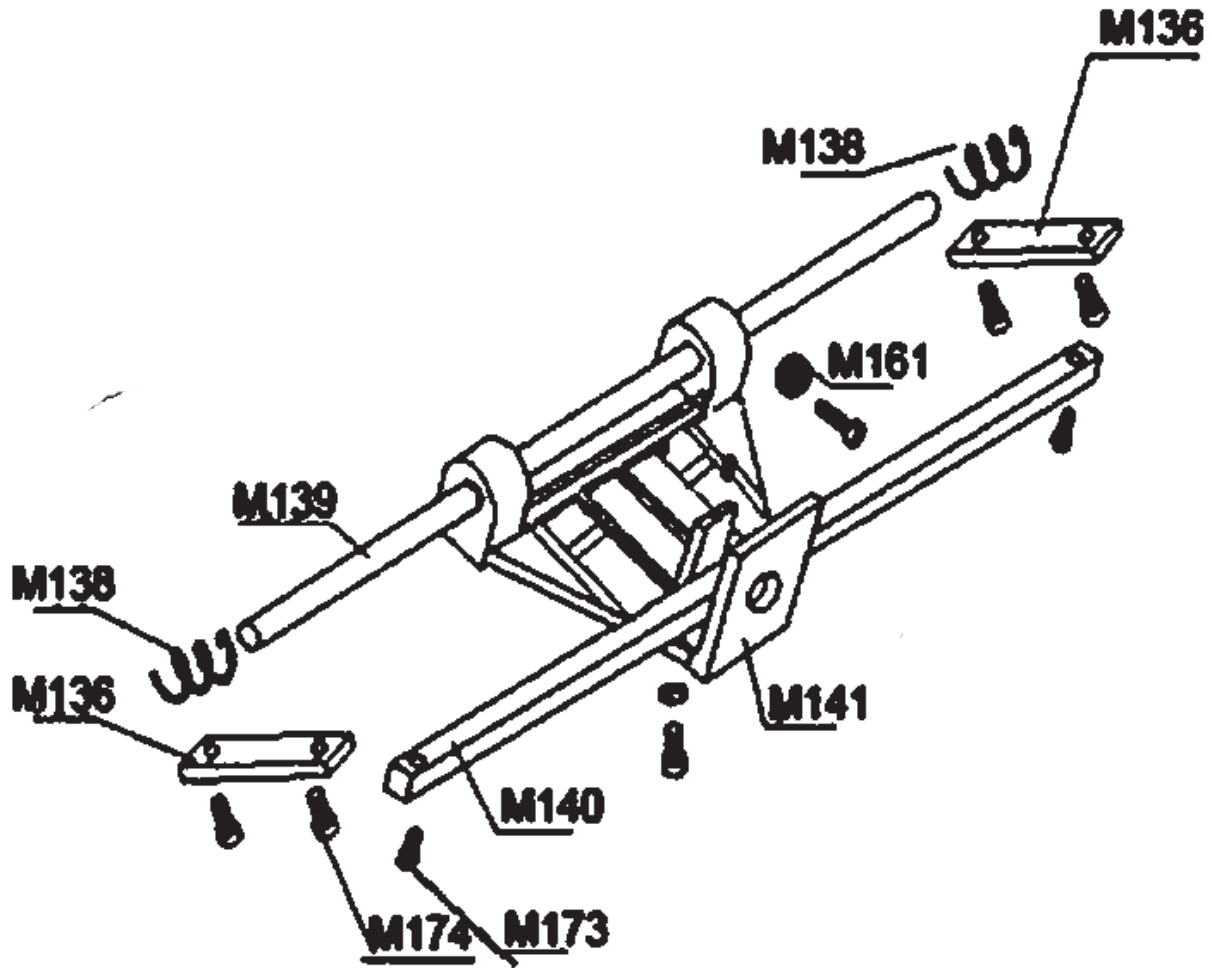
Mod.PS-12













item	MVP Code	DESCRIPTION
M101	11P101	#M101 MAIN HOUSING
M102	11P102	#M102 GAUGE PLATE
M103	11P103	#M103 MEAT HOLDER
M104	11P104	#M104 GUARDING BLADE DISC
M105	11P105	#M105 BLADE
M106	11P106	#M106 BLADE GUARDING RING
M107	11P107	#M107 SLIDING SUPPORT COVER
M108	11P108	#M108 END WEIGHT
M109	11P109	#M109 END WEIGHT BUSHING
M110	11P110	#M110 HANDLE
M111	11P111	#M111 PLASTIC BUMPER
M112	11P112	#M112 MOTOR
M113	11P113	#M113 MOTOR BRACKET
M114	11P114	#M114 POWER CORD
M115	11P115	#115 OLD BLADE GUARD BOLTS **DO NOT USE**USE 11-P15B**
	11P15B	#M115 NEW BLADE GUARD BOLTS REPLACES 11-P115
M116	11P116	#M116 BALL BEARING 6204
M117	11P117	#M117 BELT WHEEL
M118	11P118	#M118 PIN OF BELT WHEEL
M119	11P119	#M119 DRIVE BELT SV.400
M120	11P120	#M120 SUPPORTING BASE
M121	11P121	#M121 CABLE JACKET
M122	11P122	#M122 MEAT DEFLECTOR
M123	11P123	#M123 BUTTON COVER
M124	11P124	#M124 ON/OFF SWITCH
M125	11P125	#M125 CAPACITOR 20 uF PS12/PS12D
M126	11P126	#M126 CAPACITOR HOLDER
M127	11P127	#M127 SCREW OF ORIENTED STAFF
M128	11P128	#M128 THICKNESS ADJUSTING KNOB
M129	11P129	#M129 SPRING GASKET
M130	11P130	#M130 CAM 300
M131	11P131	#M131 BASE COVER FOR P-12
M132	11P132	#M132 CAM PIN
M133	11P133	#M133 SLIDING AXLE
M134	11P134	#M134 SLIDER
M135	11P135	#M135 RUBBER FOOT
M136	11P136	#M136 SLIDING AXLE BRACKET
M137	11P137	#M137 RELAY 110V
M138	11P138	#M138 SPRING OF SLIDING AXLE
M139	11P139	#M139 TOWING BRACKET SLIDING AXLE
M140	11P140	#M140 SLIDE GUIDE



Model PS12

ref: 2014

item	MVP Code	DESCRIPTION
M 141	11P141	#M 141 SLIDE SUPPORT
M 142	11P142	#M 142 SLIDE SUPPORT ADJUSTING KNOB
M 143	11P143	#M 143 SHARPENER COVER
M 144	11P144	#M 144 BUTTON
M 145	11P145	#M 145 FINE GRINDING WHEEL
M 146	11P146	#M 146 PIN
M 147	11P147	#M 147 SPRING CLEANING WHEEL
M 148	11P148	#M 148 COARSE GRINDING WHEEL
M 149	11P149	#M 149 SHARPENER TIGHTEN KNOB
M 150	11P150	#M 150 SUPPORTING BASE OF OUTER RIN
M 151	11P151	#M 151 4.751 WHEEL
M 152	11P152	#M 152 PIN OF RUBBING STONE
M 153	11P153	#M 153 SHARPENER BASE OF SUBASSEMB
M 154	11P154	#M 154 PIN OF BLADE GUARDING RING
M 155	11P155	#M 155 PIN OF FOOD TRAY
M 156	11P156	#M 156 MEAT BLOCKING BOARD
M 157	11P157	#M 157 BRACKET OF SLIDING AXLE
M 158	11P158	#M 158 SMALL BELT WHEEL OF MOTOR
M 159	11P159	#M 159 SLIDE TRANSMITTING WHEEL
M 160	11P160	#M 160 SLIDING SUPPORT HANDLE
M 161	11P161	#M 161 BEARING FOR AXLE 608RZ
M 162	11P162	#M 162 BELT WHEEL ASSEMBLY
M 163	11P163	#M 163 SHARPENER ASSEMBLY
M 164	11P164	#M 164 20 SPRING GASKET FOR BEARING
M 165	11P165	#M 165 47 SPRING GASKET FOR HOLE
M 166	11P166	#M 166 BLADE GUARD NUT
M 167	11P167	#M 167 FIXED-ARM HANDLE BOLT
M 168	11P168	#M 168 PLATE GUARD BOLT
M 169	11P169	#M 169 PLATE GUARD NUT
M 170	11P170	#M 170 BRACKET KNOB BOLT
M 171	11P171	#M 171 BRACKET KNOB NUT
M 172	11P172	#M 172 BRACKET BUTTON BOLT
M 173	11P173	#M 173 LOCKING SCREW
M 174	11P174	#M 174 SLIDE AXLE BRACKET BOLT
M 175	11P175	#M 175 SLIDE AXLE BOLT
M 176	11P176	#M 176 SPRING GASKET
M 177	11P177	#M 177 WASHER
M 178	11P178	#M 178 BOLT
M 179	11P179	#M 179 FULCRUM BEARING SHIM
M 180	11P180	#M 180 FULCRUM BEARING BOLT
M 181	11P181	#M 181 BLADE GUARD RING SUPPORT
M 182	11P182	#M 182 TRAY BEARING COVER A
M 183	11P183	#M 183 TRAY BEARING COVER B
M 184	11P184	#M 184 OIL SEALFOR BELT WHEEL
M 185	11P185	#M 185 HANDLE FOR CARRIAGE PS-12 AN
M 186	11P186	#M 186 MICROSWITCH
M 187	11P189	#M 187 MICRO SWITCH FIXED BLOCK
M 188	11P188	#M 188 BLADE SCREW