



PROJECT NAME: _____

LOCATION: _____

ITEM: _____ QTY: _____

MODEL: _____

SRBQ SERIES

FULL STAINLESS STEEL OUTDOOR GAS GRILLS

Our Sierra outdoor grills are manufactured to provide the chef with superior performance and reliability; and have the cooking power that a commercial environment is accustomed to. Body, base, burners and roll covers constructed entirely of 304 stainless steel for longevity and utmost durability. The stainless steel burners are all 15,000 BTU's each which will guarantee perfect broiling results time and time again. *Cook with Style, Cook with Sierra.*



SRBQ-30

SRBQ-60

STANDARD FEATURES

- 🔥 SAE 304 Stainless Steel body, hood, base & legs.
- 🔥 Drip pan and rack carriage assembly are easily removed for cleaning.
- 🔥 Four (SRBQ-30) or eight burner (SRBQ-60) model.
- 🔥 Two 14" wheels for easy mobility.
- 🔥 16 gauge stainless steel radiants.
- 🔥 Two lockable casters for secure positioning.
- 🔥 Easy to clean 6mm cooking grids.
- 🔥 The SRBQ is shipped from the factory, ready for LP installation.
- 🔥 Side shelf for convenience.
- 🔥 ETL approved & listed.
- 🔥 Two stage regulator and hose on all models.



3560 NW 56th Street
Fort Lauderdale, FL 33309

Tel.: 786.600.4687 / Toll Free: 844.218.8477
Fax: 786.661.4100

5659 Royalmount Avenue
Montreal, Qc, Canada H4P 2P9

Tel.: 514.737.9701 / Toll Free: 888.275.4538
Fax: 514.342.3854 / Toll Free: 877.453.8832
sales@mvpgroupcorp.com

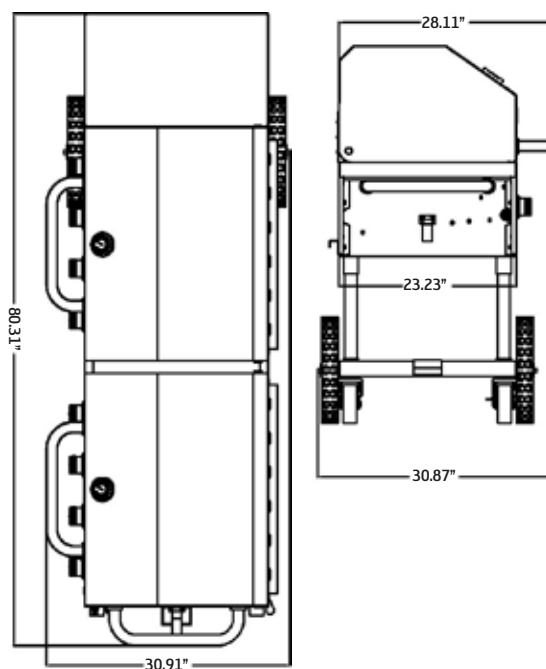
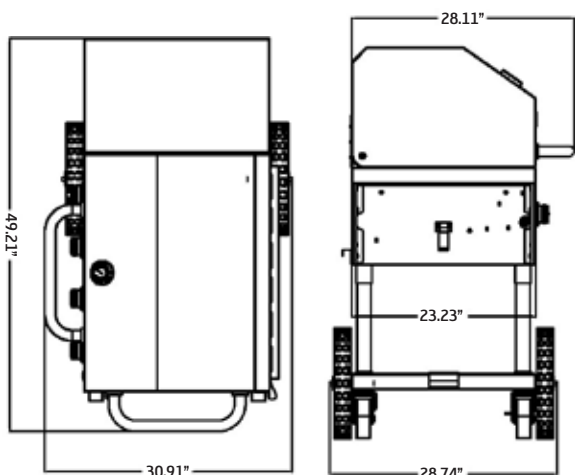
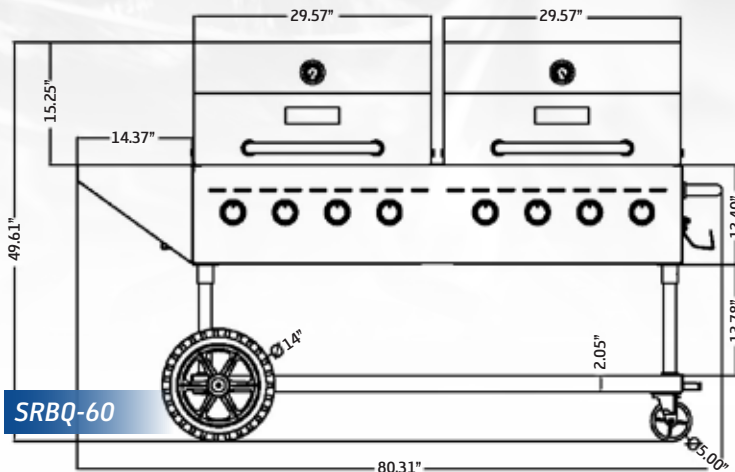
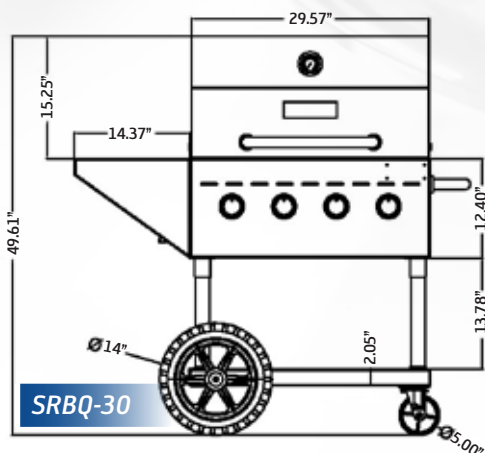


www.mvpgroupcorp.com





TECHNICAL DRAWINGS



SPECIFICATIONS

MODEL NUMBER	EXTERNAL DIMENSIONS (W/ HANDLE) (WxDxH)	COOKING AREA (WxDxH)	NUMBER OF BURNERS	TOTAL BTU	NET WEIGHT	SHIPPING WEIGHT
SRBQ-30	49.21" X 30.91" X 49.61" (1250 X 785 X 1260 MM)	27.8" X 21.3" (705 X 540 MM)	4 STAINLESS STEEL TUBE BURNERS	60,000	193.5 LBS	216 LBS
SRBQ-60	80.31" X 30.91" X 49.61" (2040 X 785 X 1260 MM)	(2 X) 27.8" X 21.3" (705 X 540 MM)	8 STAINLESS STEEL TUBE BURNERS	120,000	338 LBS	368 LBS



Warranty: 12 months parts & labor.
Gas Connection: Q.C.C.1 Type 1 connector and hose supplied with unit (2 with the SRBQ-60). **Gas pressure:** 10" W.C. - Propane
Combustible Clearances: For use in non-combustible locations | Non-combustible Clearances: 0 inches sides, 0 inches rear
SIERRA is a registered trademark of **MVP Group**.
 Due to continuing product development, to ensure best possible performance, the specifications are subject to change without prior notice.

3560 NW 56th Street
Fort Lauderdale, FL 33309

Tel.: 786.600.4687 / Toll Free: 844.218.8477
Fax: 786.661.4100

5659 Royalmount Avenue
Montreal, Qc, Canada H4P 2P9

Tel.: 514.737.9701 / Toll Free: 888.275.4538
Fax: 514.342.3854 / Toll Free: 877.453.8832
sales@mvpgroupcorp.com



www.mvpgroupcorp.com