



Project \_\_\_\_\_  
 AIA # \_\_\_\_\_ SIS # \_\_\_\_\_  
 Item # \_\_\_\_\_ Quantity \_\_\_\_\_ C.S.I. Section 114000

# CUL CHEMICAL SANITIZING Undercounter



## MODELS

- CUL** Chemical sanitizing rinse

## STANDARD FEATURES

- + 24 racks per hour
- + .84 gallons of water per rack
- + Chemical sanitizing
- + Top-mounted user interface with digital temperature display
- + 2-minute cycle with optional extended cycle
- + 14.46" door opening
- + Snap-in, revolving upper and lower anti-clogging wash & rinse arm; low-profile, single-arm design
- + Removable, 3-part stainless steel scrap screen
- + Soft start
- + Automatic pumped drain
- + Automatic fill
- + Service diagnostics with error notifications
- + Delime notification and cycle
- + Chemical pumps standard
- + Sanitizer sensing indicator standard
- + Electric tank heat
- + Two dishracks – one peg and one combination type
- + ENERGY STAR® certified

CUL CHEMICAL SANITIZING



## SPECIFIER STATEMENT

Specified unit will be NSF rated, ENERGY STAR® certified **Centerline™ by Hobart** chemical sanitizing undercounter dishwasher. Features soft start, two selectable cycles, one standard 2-minute cycle with optional extended cycle (factory set at 240 seconds); .84 gallons per rack, LED temperature and operator display, service diagnostics, detergent, rinse aid and sanitizer pumps. Constructed of stainless steel.

**1 year parts and labor warranty.**

## STANDARD VOLTAGE

- + 120/60/1

## OPTIONS & ACCESSORIES (Available at extra cost)

- Upper/lower stainless steel wash and rinse arm kit
- Chemical sensing indicators (low chemical alert)
- Stainless steel stand with rack storage and telescoping legs (legs in provide 15<sup>5</sup>/<sub>16</sub>" of additional height; legs out provide 17<sup>7</sup>/<sub>8</sub>" of additional height)
- Peg rack
- Combination rack
- Power cord kits

Approved by \_\_\_\_\_ Date \_\_\_\_\_ Approved by \_\_\_\_\_ Date \_\_\_\_\_

**LEGEND**

| Electrical Connections |   |
|------------------------|---|
| <b>E1</b>              | Electrical connection: 1-3/8" dia. hole for 1" trade size conduit; 1-5/8" AFF.  |
| <b>E2</b>              | Electrical connection: Sanitizer, detergent and rinse aid (optional); approximately 1-5/8" AFF.   |
| Plumbing Connections   |   |
| <b>P1</b>              | Single fill and rinse connection: 3/4" female garden hose fitting on 6' long hose supplied with machine; 120°F water minimum for CUL 140°F recommended. |
| <b>P2</b>              | Drain connection: 19mm barb fitting with 6' long hose supplied with machine.  |
| <b>P3</b>              | Chemical supply: Detergent, sanitizer and rinse aid; approximately 1-5/8" AFF. 5-1/4" long tubing supplied with machine.                                |

**WARNING: Plumbing and electrical connections should be made by qualified personnel who will observe all the applicable plumbing, sanitary, safety codes and National Electrical Code.**

**SPECIFICATIONS**

**Capacities**

|                         |     |
|-------------------------|-----|
| Cycle Time (seconds)    | 120 |
| Racks per Hour          | 24  |
| Tank Capacity – Gallons | 5.3 |

**Motor Horsepower**

|       |      |
|-------|------|
| Wash  | 0.62 |
| Rinse | 0.20 |

**Water Consumption**

|                                     |      |
|-------------------------------------|------|
| U.S. Gallons per Hour (maximum use) | 20.2 |
| U.S. Gallons per Rack (maximum use) | 0.84 |
| Peak Drain Flow – U.S. Gallons      | 2.8  |

**Temperatures °F**

|  |       |
|--|-------|
| Incoming Water Temperature (minimum recommended) | 120°F |
|--|-------|

**Heating**

|                          |     |
|--------------------------|-----|
| Tank Heat, electric (kW) | 2.0 |
|--------------------------|-----|

**Standard 20" x 20" (508 x 508) Rack Complement**

|      |   |
|------|---|
| Flat | 1 |
| Peg  | 1 |

**Shipping Weight (approximate)**..... 148 lbs.

**Crated Dimensions**.....27¼"W x 26½"L x 38¾"H

| Heat Output, BTU/Hour |        |          |
|-----------------------|--------|----------|
| Volts                 | Latent | Sensible |
| 120                   | 1,200  | 500      |

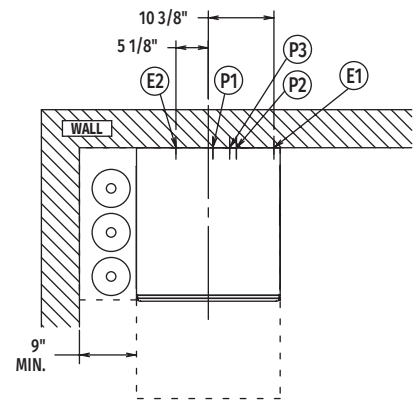
**(E1) STANDARD ELECTRICAL OPTIONS**

| Voltage  | Rated Amps | Minimum Supply Circuit Ampacity | Maximum Protective Device |
|----------|------------|---------------------------------|---------------------------|
| 120/60/1 | 17.5       | 20                              | 20                        |

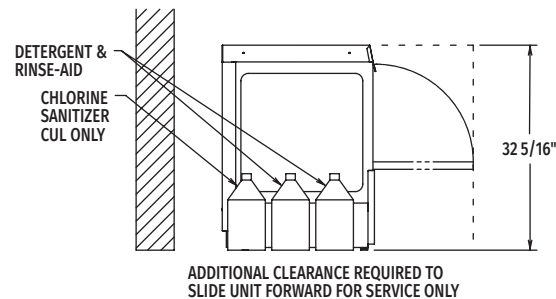
**NOTE:** For supply connections, use copper wire only rated at 90°C minimum.

Accessory cord kit available for all models.

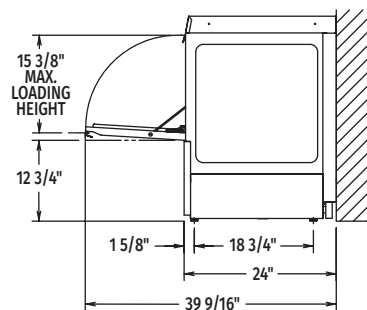
Dishmachine not provided with internal GFCI protection.



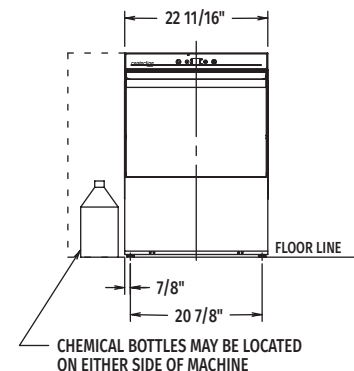
**Top View**



**Left Side View**



**Right Side View**



**Front View**

MODEL:  
CUL  
00-562543  
REV C