



Project \_\_\_\_\_  
 AIA # \_\_\_\_\_ SIS # \_\_\_\_\_  
 Item # \_\_\_\_\_ Quantity \_\_\_\_\_ C.S.I. Section 114000



## AM16SCBX ELECTRIC Chemical Sanitizing Door-Style Dishwashing Machine



### SPECIFIER STATEMENT

Specified unit will be a Hobart AM16SCBX electric chemical sanitizing door type commercial dishwasher with built-in booster heater. Features include chemical pumps, 5-sided insulated hood, NSF pot and pan rating for 2-, 4- & 6-minute cycles, 17" door opening, pumped drain, auto door start with auto fill, interchangeable stainless steel rinse arms and X-shaped wash arms, delime cycle, digital controls with service diagnostics, up to 72 racks per hour, .67 U.S. gallons per rack pumped final rinse.

**1 year parts and labor warranty.**

### STANDARD FEATURES

- + .67 gallons per rack pumped final rinse
- + 72 racks per hour – chemical sanitizing
- + Chemical pumps
- + Temperature and chemical lock outs
- + Two stage filtration
- + Pillarless opening
- + 5-sided insulated hood
- + Single point electrical connection
- + Digital controls with status indicators
- + Pumped drain
- + Timed wash cycles for 1, 2, 4 or 6 minutes
- + NSF pot and pan rating for 2-, 4- & 6- minute cycles
- + Sense-A-Temp™ 30° F rise electric booster heater
- + Self-draining, high efficiency wash pump with stainless steel impeller
- + 17" door opening accommodates one 18" x 26" sheet pan or 30" sandwich cutting board
- + Stainless steel drawn tank, tank shelf, chamber, trim panels, frame and feet
- + Spring counterbalanced chamber with reinforced, thermo-plastic rollers
- + X- shaped revolving, interchangeable upper and lower anticlogging wash arms
- + Revolving, interchangeable upper and lower rinse arms
- + Slanted, self-locating, one-piece scrap screen and basket system
- + Automatic fill
- + Door actuated start
- + AutoClean
- + Service diagnostics
- + Straight-through or corner installation
- + Delime cycle with notification
- + Remote monitoring compatible

### OPTIONS & ACCESSORIES (Available at extra cost)

- Peg rack
- Combination rack
- Splash shield for corner installations
- Water hammer arrestor kit
- Rapid fill kit
- Pumped drain air gap
- Drain saddle
- Sink integration kit
  - Sink saddle & 3" leg extension
  - Sink rail kit
  - Fold down table

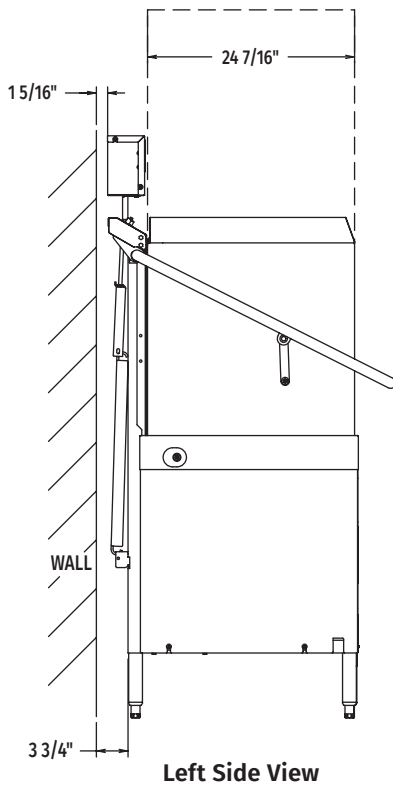
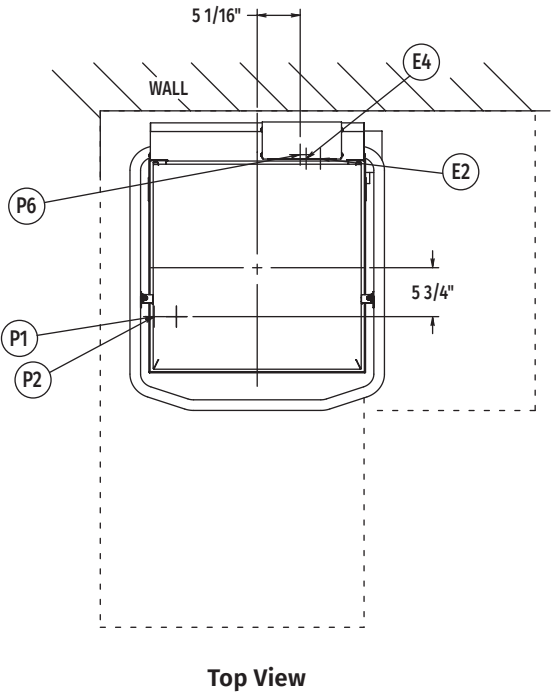
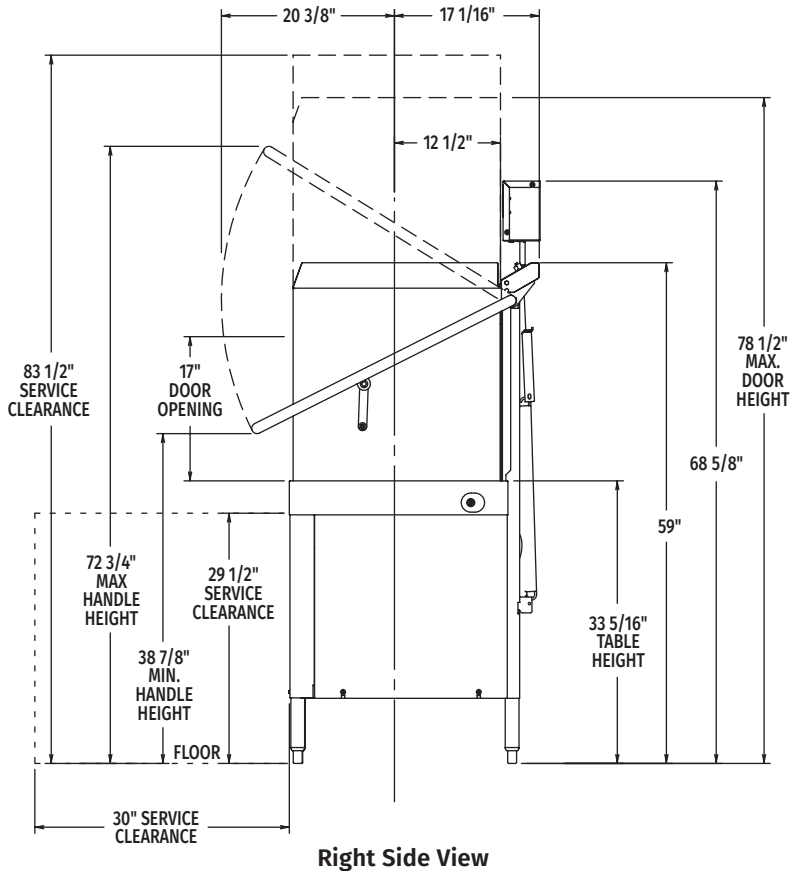
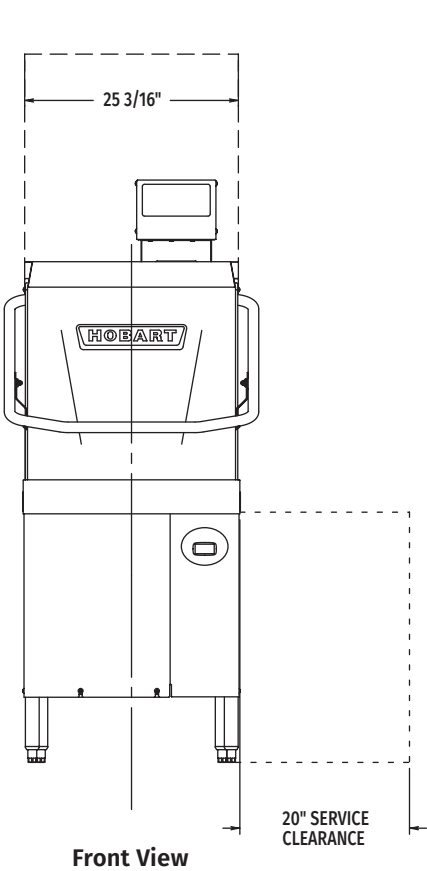
AM16 SERIES – AM16SCBX ELECTRIC CHEMICAL SANITIZING

Approved by \_\_\_\_\_ Date \_\_\_\_\_ Approved by \_\_\_\_\_ Date \_\_\_\_\_



# AM16SCBX ELECTRIC

## Chemical Sanitizing Door-Style Dishwashing Machine



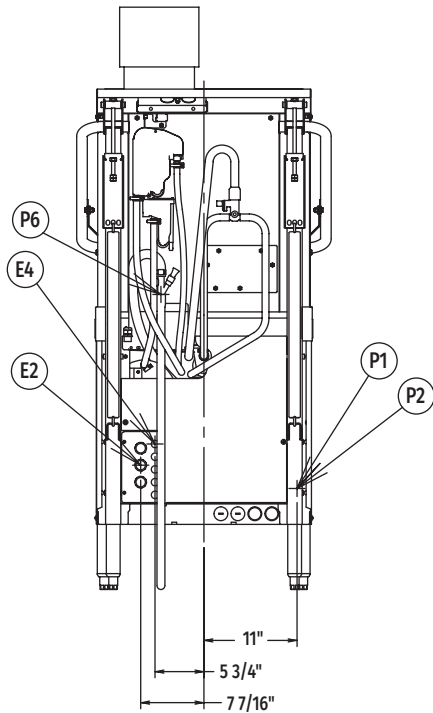
MODEL:  
AM16-SCBX  
00563739



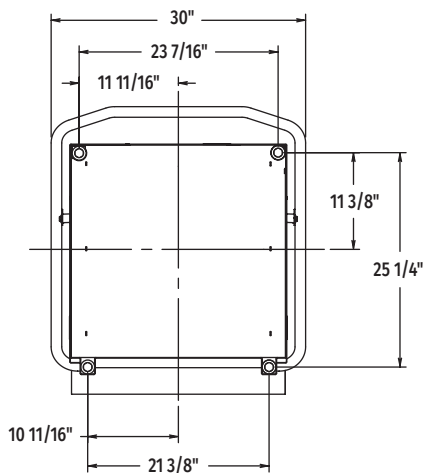
# AM16SCBX ELECTRIC

## Chemical Sanitizing Door-Style Dishwashing Machine

**WARNING:** Plumbing and electrical connections should be made by qualified personnel who will observe all the applicable plumbing, sanitary, safety codes and National Electrical Code.



**Rear View**



**Bottom View**

### LEGEND

Electrical Connections	
<b>E2</b>	Electrical connection: single point electrical connection, 1" or 3/4" conduit hole; 14-11/16" AFF.
<b>E4</b>	Electrical connection: vent fan control (VFC1 & VFC2) switching circuit only 1.5 amps @ nameplate supply voltage; 1/2" conduit hole, 17-3/16" AFF.
Plumbing Connections	
<b>P1</b>	Common water connection including booster heater: 120°F water recommended, 90°F water minimum, 15-65 PSI recommended; 3/4" female garden hose fitting on 8' long hose supplied with machine; 11-15/16" AFF.
<b>P2</b>	Hot water connection: (Rapid fill accessory-when ordered); 120°F water recommended, 90°F water minimum, 3/4" female garden hose fitting on 8' long hose; 11-15/16" AFF.
<b>P6</b>	Drain connection: 5/8" barb fitting with 6' long hose supplied with machine; 34-13/16" AFF. Maximum height 40" AFF.

### SPECIFICATIONS

#### Capacities

Racks Per Hour (maximum)	72
Dishes per Hour (average 25 per rack)	1,800
Glasses per Hour (average 45 per rack)	3,240
Wash Tank (U.S. gallons)	10.5

#### Motor Horsepower

Rinse Pump	0.18
Wash Pump	.2
Drain Pump	0.21

#### Rinse

Gallons per Rack	0.67
Gallons per Hour (maximum consumption)	47.9

#### Peak Rate of Drain Flow

Gallons per Minute (initial rate with full tank)	14.5
--	------

#### Heating

Electric Booster (kW)	4.3
Electric Heating Unit (kW)	4.3

Shipping Weight (approximate) . . . . . 330 lbs.

Crated Dimensions . . . . . 73.75"H x 36.5"W x 36.5"L

E2	AM16-SCBX Single Point Electrical Service Connection as Shown Below			
	Voltage	Rated Amps	Minimum Supply Circuit Ampacity	Maximum Protective Device
	208/240/60/1	25.6/27.7	30-40/35-40	30-40/35-40

**Note:** Machine may be connected to MCA-MPD of 30 or 40 amps at 208 volts and 35 or 40 amps at 240 volts.

**Electrical Note:** Dishmachine not provided with internal GFCI protection.



# AM16SCBX ELECTRIC

## Chemical Sanitizing Door-Style Dishwashing Machine

**Plumbing Notes:** Water hammer arrestor (meeting ASSE-1010 standard or equivalent) to be supplied (by others) in common water supply line at service connection.

Recommended water hardness to be 3 grains or less for best results.

**Note:** Electric heating unit & booster (kW) calculated at 208V. Recommended building flowing water pressure to the dishwasher at or above 15 PSI. Pressures lower than 15 PSI may affect machine fill/start-up times.

This is a pumped rinse machine. Pressure regulating valve is recommended if pressure is higher than 65 PSI (supplied by others).

For convenience when cleaning, water tap should be installed near machine with heavy duty hose and squeeze valve.

**Miscellaneous Notes:** All dimensions taken from floor line may increase 7/8" or decrease 3/8" depending on leg adjustment.

Vent hood (if required) to provide a minimum 450 CFM exhaust (ref installation instructions).

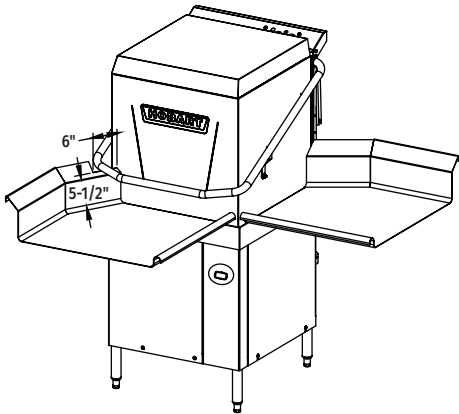
Net weight of machine including booster: 310 lbs.

Domestic shipping weight including booster: 330 lbs.

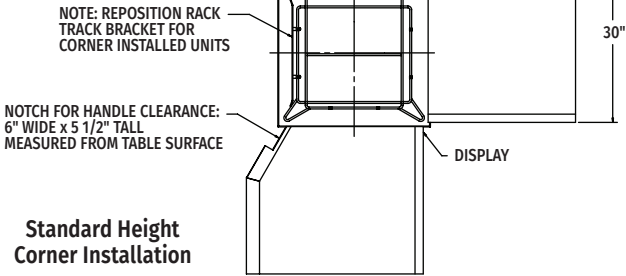
Size of racks – 19 3/4" x 19 3/4".

Approximate Heat Gain to Space	
Type	BTU/Hr.
Latent	3,570
Sensible	6,700

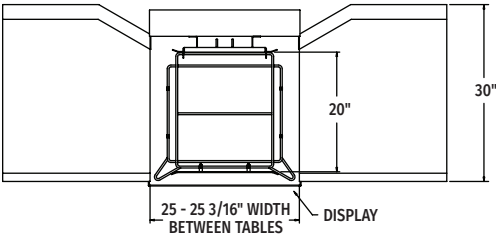
### AM16 TABLING CONFIGURATIONS AND TRACK DESIGN



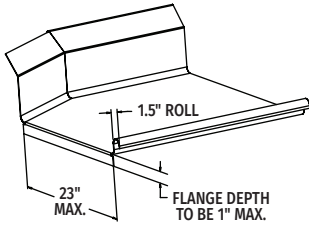
Top Inside View of Machine



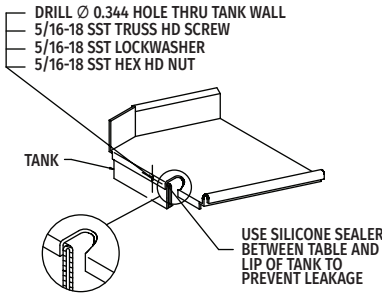
Standard Height Corner Installation



Pass Thru Installation



Suggested Table Design



As continued product improvement is a policy of Hobart, specifications are subject to change without notice.