

**HOBART**701 S Ridge Avenue, Troy, OH 45374  
1-888-4HOBART • www.hobartcorp.com**HS8/HS8N  
SLICER****HOBART****STANDARD FEATURES****KNIFE**

- 13" CleanCut™ Knife
- Removable Ring Guard Cover
- Zero Knife Exposure
- Heavy-Gauge Stainless Steel Knife Cover
- Top-Mounted Borazon Stone Sharpener

**OPERATION**

- ½ H.P. Knife Drive Motor

**INTERLOCKS**

- Home-Start Position
- Close-to-Stop
- Gauge-Plate Interlock
- Carriage-System Interlock
- No-Volt Release
- 30-Second Shut Off

**HOUSING AND BASE**

- Sanitary Anodized Aluminum Base
- Machined Grooves on Gauge Plate and Knife Cover
- Exclusive Tilting, Removable Carriage System
- Electroless Nickel Plated Single Slide Rod with Reservoir Wick in Transport
- Double-Action Indexing Cam
- Spring Kickstand
- Ergonomic-Style Handle
- Rear-Mounted, Removable Meat/Vegetable Grip Arm

**MODELS**

- HS8 – Manual Slicer/Anodized Finish with Removable Knife Feature
- HS8N – Manual Slicer/Anodized Finish with Non-Removable Knife Feature

**ACCESSORIES**

- Full Fence
- Food Chute
- Debris Deflector

Specifications, Details and Dimensions on Inside and Back.

**HS8/HS8N SLICER**

# HS8/HS8N SLICER



701 S Ridge Avenue, Troy, OH 45374  
1-888-4HOBART • www.hobartcorp.com

## SOLUTIONS / BENEFITS

### PRECISION SLICING

#### 13" CleanCut™ Knife

- Super alloy edge stays sharp longer
- Lasts two to three times longer than carbon coated or stainless steel knives

#### Top Mounted Borazon Stone Sharpener

- Single-action sharpens and hones in just 15 seconds
- Removable and warewasher safe for easy cleaning and sanitation – can be used wet or dry
- Lifetime guaranteed Borazon sharpening stones provide maximum performance with reduced maintenance costs

#### Machined Grooves on Gauge Plate and Knife Cover

- Reduces drag for smoother slicing motion

#### Double-Action Indexing Cam

- The first full revolution of the indexing knob provides precise control of shaving, chipping and thin slicing
- The second revolution opens the gauge plate quickly for thicker slicing
- Gauge plate holds position for consistent, precision slicing

### EASY TO USE

#### ½ H.P. Knife Drive Motor

- Reserve power runs at 430 rpm for optimum results

#### Electroless Nickel Plated Single Slide Rod with Reservoir Wick in Transport

- Smooth operation with continuous lubrication of carriage rod

#### Zero Knife Exposure\*

- Knife edge is covered when sharpener is both mounted and removed making cleaning easier
- Gauge plate remains closed during operation of sharpener

#### Home Start Position

- Carriage must be in 'home position' before the slicer will start

#### Close to Stop

- Closing of the gauge plate turns off the slicer

#### Gauge Plate Interlock

- Gauge plate must be closed to remove carriage for cleaning and cannot be opened when removed

#### Carriage System Interlock

- Will not tilt away or remove if gauge plate is not closed

#### No Volt Release

- Slicer must be restarted if power fails or slicer is unplugged

#### Automatic Shutoff

- Knife shuts off after 30 seconds of inactivity

### EASY TO CLEAN

#### Removable Knife Option\* – HS8

- Knife easily removes with patented removal tool
- Area within ring guard is open for faster cleaning
- Knife and tool are warewasher safe for easy cleaning and sanitation

#### Removable Ring Guard Cover\*

- Catches product debris around the knife for easy removal during cleaning
- Reduces time to 'floss' during cleaning

#### Exclusive Tilting, Removable Carriage System\*

- Tilt design allows for ease of mid-day cleaning
- Removable for complete cleaning and sanitation

#### Rear-Mounted, Removable Meat Grip

- Opens up front of product tray for unobstructed loading
- Removable meat grip allows for easy cleaning

#### Spring Kickstand

- Props machine for easy cleaning underneath slicer

#### Sanitary Anodized Aluminum Base

- Limited cracks/crevices or bolt holes where product can lodge and bacteria may grow
- Easy clean up and durable finish

\*Feature unique to Hobart



701 S Ridge Avenue, Troy, OH 45374  
1-888-4HOBART • www.hobartcorp.com

# HS8/HS8N SLICER

## SPECIFICATIONS

### KNIFE

**13" CleanCut Knife:** The knife is approximately 13 inches, constructed of 304L stainless steel and high performance Stellite alloy. Knife cover is retained magnetically, and is quickly removed by pulling straight back on the top cover knob.

**Removable Knife Option HS8:** The patented knife removal tool covers the knife edge and safely removes knife from gauge plate to allow for thorough cleaning.

**Removable Ring Guard Cover:** Fits on top of ring guard to catch food debris. When removed, reveals a 0.12" space between knife and guard for easier flossing. Ring guard is made with Zytel™ plastic and can be washed in warewasher or three compartment sink.

**Zero Knife Exposure:** Knife edge is not exposed during cleaning or sharpening procedures.

**Top Mounted Borazon Stone Sharpener:** Single action operation utilizing two Borazon stones to sharpen and hone in five seconds. Removable, top mounted and warewasher safe. When sharpener is removed for cleaning, knife edge is completely shielded. Borazon stones have a lifetime guarantee.

### MOTOR

**Poly V-Belt Knife Drive System:** Knife is driven by a Hobart Poly V belt and runs at 430 rpm for optimal performance.

**½ H.P. Knife Drive Motor:** ½ H.P. permanently lubricated ball bearings. Single phase capacitor-start, induction run.

### INTERLOCKS

**Home Start Position:** Home-start ensures carriage is in a convenient position before starting the slicer.

**Close to Stop:** After slicing, a quick turn of the index knob to the closed position turns off the slicer.

**Gauge Plate Interlock:** Gauge plate interlock protects knife edge when indicator is at zero.

**Carriage System Interlock:** Carriage will not tilt away or remove if gauge plate indicator is not closed.

**No Volt Release:** In the event of a power loss, slicer must be restarted before operation can continue.

**Automatic Shut Off:** Knife shuts off after 30 seconds of inactivity to extend motor life and save energy.

### HOUSING AND BASE

**Sanitary Anodized Aluminum Base:** One-piece base has fewer places to harbor soil and is easier to clean. Limits holes or crevices in which food can lodge.

**Finish:** Stainless steel top cover, anodized aluminum product tray and gauge plate.

**Exclusive Tilting, Removable Carriage System:** Aluminum product tray tilts easily for mid-day cleaning and is removable for thorough cleaning and sanitation procedures. The carriage has 12.5" manual travel.

**Electroless Nickel Plated Single Slide Rod with Reservoir Wick in Transport:** Transport slide rod is E-Nickel electroless plated. Slide rod bearings feature an oil reservoir/oil wick.

**Double-Action Indexing Cam:** A solid construction index knob moves the gauge plate via a barrel cam ensuring consistent slice thickness across machine and over time. First revolution of index cam for precision slicing; second revolution for thicker slicing selection.

**Spring Kickstand:** Helps hold slicer in tilted position for cleaning beneath the machine.

**Ergonomic Style Handle:** Specially shaped and positioned for ease of use during manual operation.

**Rear Mounted, Removable Meat Grip Arm:** Rear mounted grip is high strength thermoplastic. Swings out of way when not in use.

**Electrical Specification:** 120/60/1; 5.4 Amps.

**Switch:** Moisture protected push button switch.

**Cord & Plug:** 6-foot, three-wire power supply cord and plug. Plug not furnished on export models.

**Capacity:** The carriage will take food up to 5<sup>3</sup>/<sub>4</sub>" x 10<sup>3</sup>/<sub>4</sub>" rectangle or 7.5" in diameter.

**Gauge Plate:** Gauge plate is a heavy aluminum extrusion with machined grooves for smooth feeding. Adjustable to cut any thickness of slice up to 1".

**Warranty:** All parts and service coverage for one year including knife. Lifetime guarantee on Borazon stones in the sharpening system.

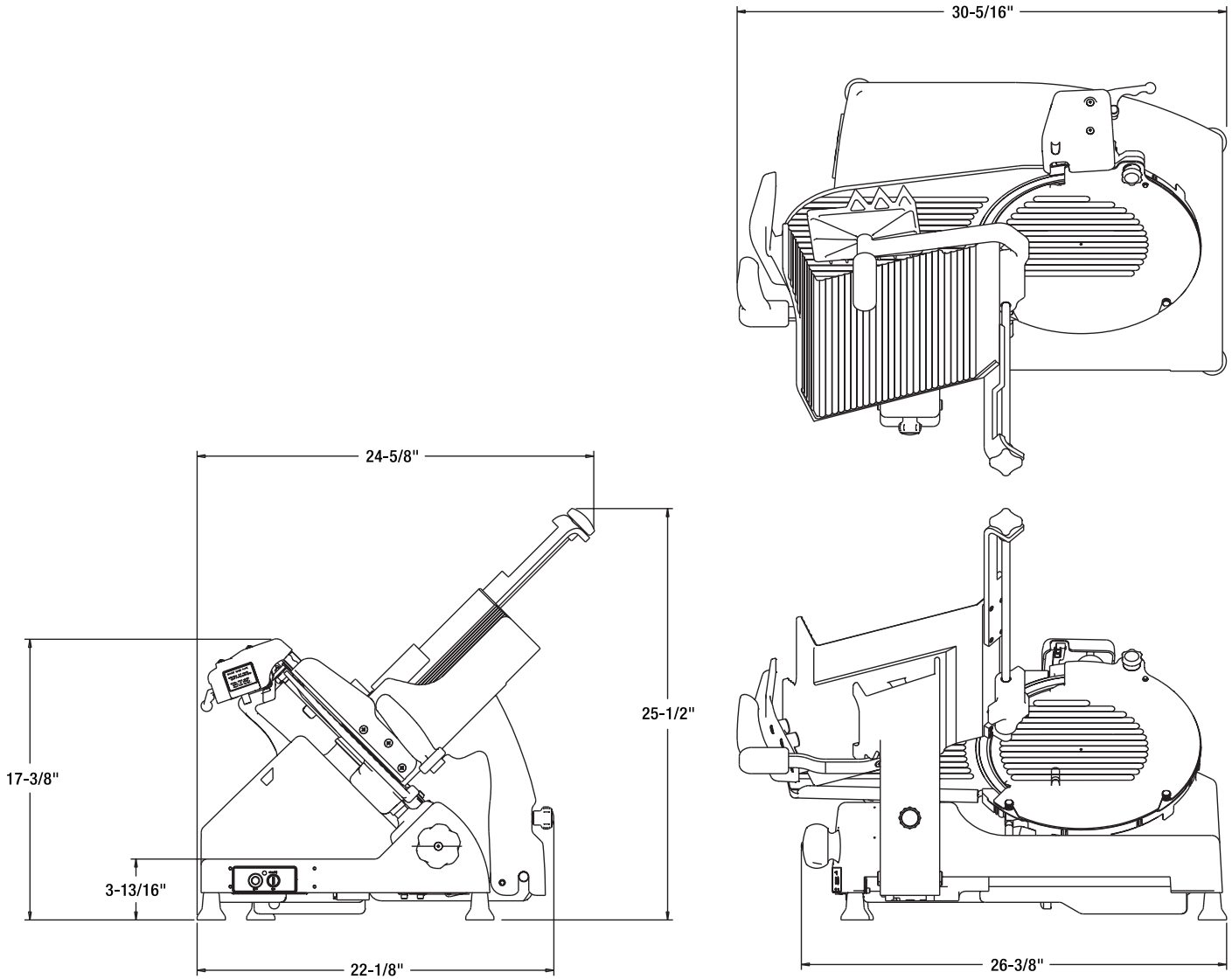
**Shipping Weight:** 132 lbs.

# HS8/HS8N SLICER



701 S Ridge Avenue, Troy, OH 45374  
1-888-4HOBART • www.hobartcorp.com

## DETAILS AND DIMENSIONS



As continued product improvement is a policy of Hobart, specifications are subject to change without notice.