

Available in softer, Original Chewable Nugget Ice or harder, H² Nugget Ice

N0422 - 400lb Nugget Ice Machine

Prodigy Plus[®] Nugget Ice Machine

Features & Benefits

- Available in softer, Original Chewable Nugget Ice and harder, H² Nugget Ice
- Sealed, maintenance-free bearings for reduced preventative maintenance and long-lasting performance
- Stainless steel evaporator and auger for maximum durability
- AutoAlert™ indicator lights for better visibility
- Operational footprint among the industry's smallest
- Unit specific QR code for quick access to service manuals, cleaning guides and warranty history
- Front-breathing - No side clearance required for flexible placement
- Smart-Board™ advanced feature module available for additional diagnostic capabilities
- I control allows operators to customize ice levels
- rds internal surfaces between cleanings
- rgy-saving features



Ice Production

Original Chewable Nugget

Water Cooled	
70°F/21°C	Air 90°F/32°C
50°F/10°C	Water 70°F/21°C
455/206 lb/kg	397/180 lb/kg



Ice Production

H² Nugget

Water Cooled	
70°F/21°C	Air 90°F/32°C
50°F/10°C	Water 70°F/21°C
441/200 lb/kg	378/171 lb/kg



Bin & Dispenser Options

Bin Application		Ship Weight
Capacity	Finish	lb/kg
370/168	Metallic	140/64
536/244	Poly	110/50
536/244	Metallic	150/68
-	Stainless Steel	149/68
ID200 30 x 30 x 35.625	Stainless Steel	183/83
ID250 30 x 30 x 39.625	Stainless Steel	188/85

*Contact Scotsman for bin top requirements. **Add 6" Height for bin legs.
† Stainless steel with galvanized back & bottom.



Nugget Ice

Original Chewable Nugget Ice Hardness Rating:
Soft = 74%



H² Nugget Ice Hardness Rating:
Hard = 85%



Certification



Warranty

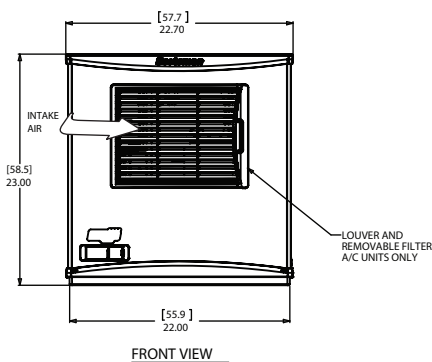
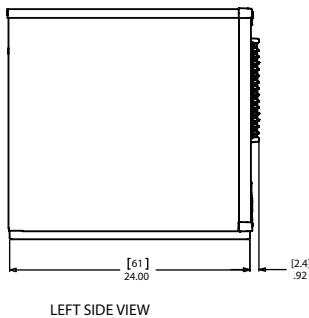
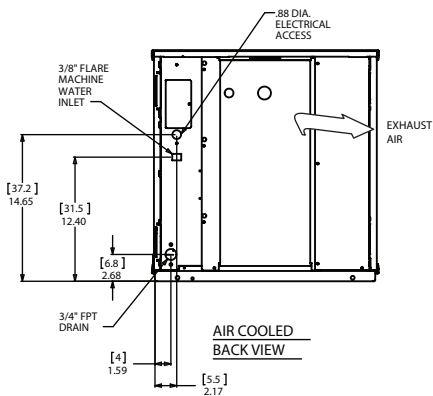
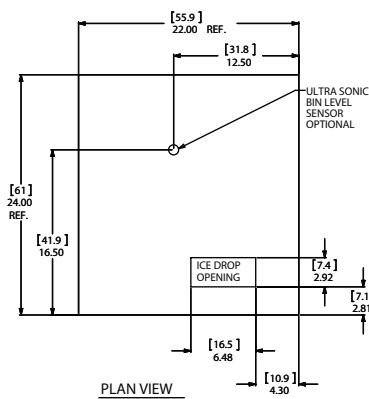
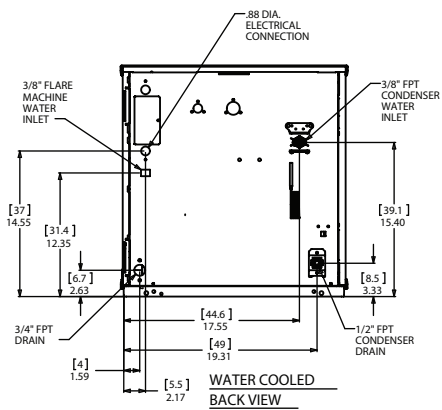
- 3 years parts and labor on all components.
- 5 years parts on the compressor.
- Warranty valid in North, South & Central America for commercial installations.
- Contact factory for warranty in other regions.
- Residential Applications: 1 year parts and labor



N0422 - 400lb Nugget Ice Machine

Prodigy Plus® Nugget Ice Machine

N0422 - 400lb Nugget Ice Machine



Specifications

Model Number	Condenser Unit	Basic Electrical Volts/Hz/Phase	Max. Fuse Size or HACR Circuit Breaker (amps)	Circuit Wires	Min. Circuit Ampacity	Energy Consumption kWh/100 lb (45.4 kg) 90°F(32°C)/70°F(21°C)	Water Usage Gallons/100 lb (liters/45.4 kg)		
							Potable 90°F(32°C)/70°F(21°C)	Condenser 90°F(32°C)/70°F(21°C)	
Nugget Type: Soft or Hard									
soft	NS0422A-1	Air	115/60/1	20	2	12.9	6.27	12.0/45.5	-
	NS0422W-1	Water	115/60/1	20	2	12.1	3.95	12.0/45.5	124/469.7
hard	NH0422A-1	Air	115/60/1	20	2	12.9	6.08	12.0/45.5	-
	NH0422W-1	Water	115/60/1	20	2	12.1	3.92	12.0/45.5	88/333.1



All Models

Dimensions (W x D x H):

Unit: 22" x 24" x 23"
(58.2 x 61.0 x 58.4 cm)

Shipping Carton: 25.5" x 27.5" x 28.5"
(64.8 x 69.9 x 72.4 cm)

Shipping Weight: 172 lb / 78 kg

BTUs per hour: 5,000

Refrigerant: R-404A



Accessories

Model Number	Description
KVS	Vari-Smart™ Ice Level Control - Program ice bin levels to match ice needs.
KSBU	Smart-Board™ Advanced Control - Use additional operational data for fast diagnosis.
KSBU-N	Smart-Board™ Advanced Control with Network - Network capable.
KPAS	Prodigy Advanced Sustainability Kit - Includes KVS and KSBU - N

Scotsman recommends all ice machines have water filtration. See Scotsman water filter specification sheet for details.



Operating Requirements

	Minimum	Maximum
Air Temperatures	50°F (10°C)	100°F (38°C)
Water Temperatures	40°F (4.4°C)	100°F (38°C)
Remote Cond. Temps	-20°F (-29°C)	120°F (49°C)
Water Pressures	20 PSIG (1.4 bar)	80 PSIG (5.5 bar)
Electrical Voltage	-5%	+10%

Specifications and design are subject to change without notice.