

UN1215 - 120 lb Nugget Ice Machine

Self-Contained Undercounter Ice Machine with Storage

Features and Benefits

Space Saving Design:

- Only 15" wide, this ice maker can be placed in the tightest locations
- Front breathing - No side clearance required for flexible placement
- Optional floor mount kit allows for installation under 34" ADA counter tops

Ease of Use:

- Unit specific QR code for quick access to service manuals, cleaning guides and warranty history
- Ergonomic slide back door allows easy access to ice in the bin
- Power cord, NEMA 5-15P plug, ice scoop and adjustable legs are included for quick and easy installation

Reliability:

- Sealed, maintenance-free bearings for reduced preventative maintenance and long-lasting performance
- Stainless steel evaporator and auger for maximum durability
- Heavy duty, rust-free front panel and corrosion-resistant aluminum alloy side panels for maximum lifespan
- 3 Year parts and labor warranty
- Designed, engineered and assembled in the USA

High Production:

- Produces up to 119 lb (54 kg) per day and stores 36 lb (16 kg), maximizing ice output despite its small footprint
- Maximized production ensures that you can keep up with growing demand for The Original Chewable® Nugget Ice

Environmentally Friendly:

- Energy Star certified
- Meets US Safe Drinking Act low lead requirements
- Non-ozone depleting R-134A refrigerant



Sealed, maintenance-free bearings ensure maximum reliability and contribute to a long machine life



access to service manuals, cleaning guides and warranty history



Ergonomic slide back door allows easy access to ice in the bin



ADA compliant with optional floor mount kit



24 Hour Volume Production

Air Cooled		
70°F/21°C	Air	90°F/32°C
50°F/10°C	Water	70°F/21°C
119/54		84/38
lb/kg		lb/kg



Nugget Ice



The Original Chewable Ice®! Soft ice ideal for fountain beverages and blended fruit drinks.



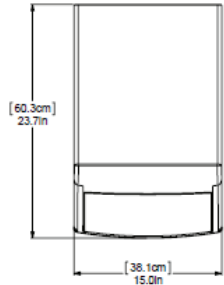
Certification



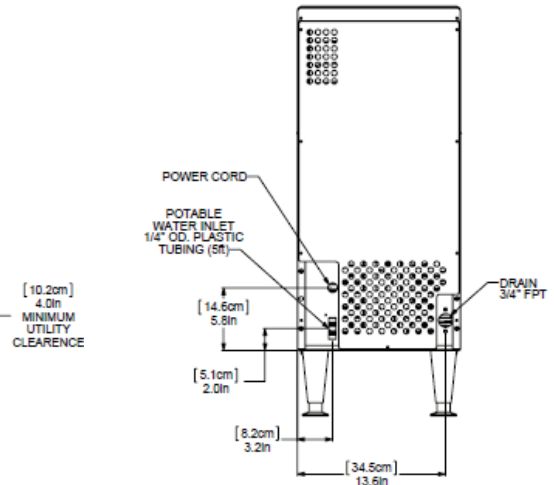
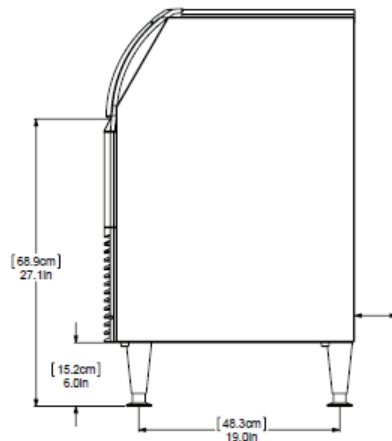
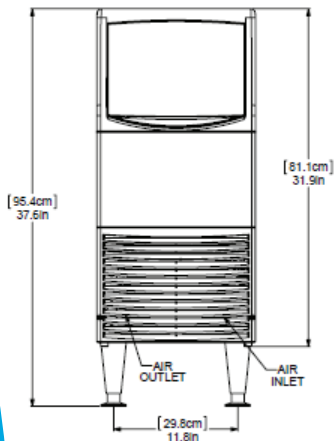
Warranty

- 3 years parts and labor on all components
- Warranty valid in North, South & Central America for commercial installations
- Contact factory for warranty in other regions
- Residential Applications: 1 year parts and labor

UN1215 - 120 lb Self-Contained Ice Machine



Front breathing and no side clearance required, allowing for flexible placement



Specifications

Model Number	Condenser Unit	Storage Capacity lb/kg	Basic Electrical Volts/Hz/Phase	Max. Fuse Size or HACR Circuit Breaker (amps)	Circuit Wires	Min. Circuit Ampacity	Energy Consumption kWh/100 lb (45.4 kg) 90°F(32°C)/70°F(21°C)	Potable Water Usage Gallons/100 lb (liters/45.4 kg) 90°F(32°C)/70°F(21°C)
UN1215A-1	Air	36/16	115/60/1	15	2	Cord	6.73	12/45.5



All Models

Dimensions (W x D x H):

Unit: 15" X 24" X 38"
(38.1 x 61.0 x 96.5 cm)

Includes 6" (15.24 cm) adjustable legs

Shipping Carton: 22" x 27" x 38"
(55.9 x 68.6 x 96.5 cm)

Shipping Weight: 109 lb / 49 kg

BTUs per hour: 2,300

Refrigerant: R-134A



Accessories

Model Number	Description
KLP8S	Kit, Leg 6", Stainless Steel
KBC1	Kit, Casters
KUFM15	For ADA applications. Floor mount kit lowers overall height to 31.9"

Scotsman recommends all ice machines have water filtration. See Scotsman water filter specification sheet for details.



Operating Requirements

	Minimum	Maximum
Air Temperatures	50°F (10°C)	100°F (38°C)
Water Temperatures	40°F (4.4°C)	100°F (38°C)
Water Pressures	20 PSIG (1.4 bar)	80 PSIG (5.5 bar)
Electrical Voltage	-5%	+10%

Specifications and design are subject to change without notice.

UN1215 - 120 lb Self-Contained Ice Machine