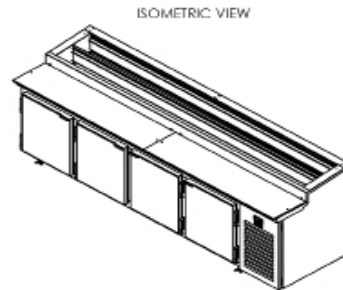
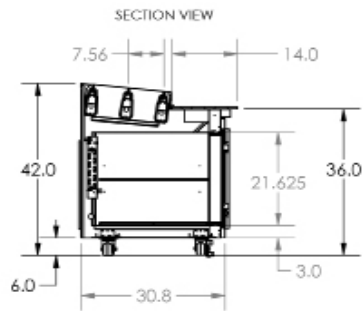
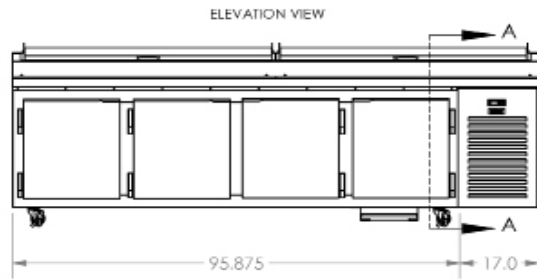
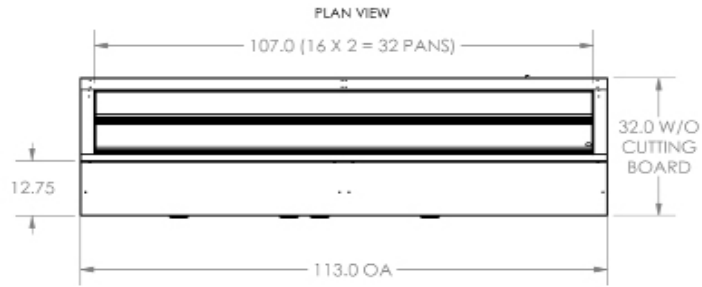




MODEL:
TB113SL2S



TB113SL2S 2 Pan Rail Model





Project _____
 AIA # _____ SIS # _____
 Item # _____ Quantity _____ C.S.I. Section 114000



GLYCOL PREP TABLES SELF-CONTAINED

Glycol Prep Tables Self-Contained

MODELS

Door Models: TB113SL2S, TB113SL3S

MODELS	TB113SL2S 2 Row Pan Rail
CABINET DIMENSIONAL DATA	
L x D* x H (in.)	113" x 33.5" x 42"
Door	4
# of 1/6 Pans	32
Amps	18
NEMA Plug	5-30P
Voltage	115/60/1
Weight lbs. (kg)	1160
REFRIGERATION DATA	
MDEC	-
Refrigerant	R-404A
Refrigerant Amount oz. (gr)	20

2 Row Pan Rail Models

*Overall depth with standard 14" cutting board

*When ordering please specify: voltage, hinging and optional accessories.

EQUIPMENT SPECIFICATIONS

TOP

Heavy-duty stainless steel, 4 inch high raised rail, slightly sloped to front with a glycol pan chiller system. T6 anodized horizontal chiller plates to accommodate 1/3", 1/6" and 1/9" pans. All heavy duty stainless steel construction with Lift-off night cover. Comes standard with white polyethylene cutting board.

CONSTRUCTION

Base exterior front and sides are stainless steel. Back is galvanized steel and bottom is galvanized steel. Interior has coved corners. Two powder coated (gray), wire shelves are provided for each door section. Casters are provided. Doors are standard with foam insulated stainless steel, self-closing hinges, and snap-in magnetic gaskets.

INSULATION

Nominal two (2) inch thick foamed-in-place polyurethane.

REFRIGERATION

All necessary controls and components are included in Self-contained models. Refrigeration includes condensing unit, expansion tank, heat exchanger and pump closely located from and in communication with the refrigeration controls.

ELECTRICAL

Unit equipped with 115 volt single phase components. All hook-ups are at rear of unit.

WARRANTIES

Both a three year parts and labor warranty and an additional two year compressor warranty are provided standard.

Equipped with one NEMA 5-15P Plug



Recommended Pan Brands For Standard Pan Chiller Fit and Spacing

Brand	Item Description
Cambro	Polypropylene
Cambro	Polycarbonate
Carlisle	Polycarbonate
Carlisle	Stainless Steel
Sysco/Vollrath	SPI
Sysco/Vollrath	SPIII
Rubbermaid	Polycarbonate
JR	S/S
Crestware	S/S

Approved by _____ Date _____ Approved by _____ Date _____