



Project _____
 AIA # _____ SIS # _____
 Item # _____ Quantity _____ C.S.I. Section 114000



Glycol Prep Tables Self-Contained

91" Two & Three Row Pan Models



*Shown with optional overshelf



This unit is listed to UL 471, CSA 120 and NSF 7 by an approved NRTL. Consult the factory or unit data plate for approval information.

AVAILABLE CONFIGURATIONS

46", 60", 65", 71", 91" & 113" Wide Models

2 Row Pan Rail **Model**
 91" Long Model for 26 x 1/6 Pans TB091SL2S

3 Row Pan Rail **Model**
 91" Long Model for 39 x 1/6 Pans TB091SL3S

STANDARD PRODUCT FEATURES

- Glycol System Exceeds NSF7 Requirements by Maintaining Food at or below 39° Using Specified 8" Deep Pans
- Stainless Steel Exterior & Interior Finish
- Horizontal Finned T6 Anodized Chiller Plates, Holds 1/3, 1/6, or 1/9 Size Pans Up to 8" Deep (pans supplied by others)
- General Fit 7.6" Chiller Bar Spacing
- Stainless Steel Lift-Off Night Cover
- Sloped Rail
- Set of 6" Casters
- 14" White Poly Cutting Board (2 row pan rail models)
- 8" White Poly Cutting Board (3 row pan rail models)
- 20" Stainless Steel Doors, Left or Right Hinge Option
- Self-Closing Doors with Stay Open Feature
- Metal Door Handle with Gasket Guard
- Magnetic Snap-In Door Gaskets
- Two (2) Shelves Per Door, On Pilasters
- Heat Exchanger and Pump Closely Located from and in Communication with Refrigeration Controls
- Thermostatic Expansion Valve Metering Device
- 3-Year Parts & Labor Warranty
- 2-Years Additional Compressor Parts Warranty

ACCESSORIES & OPTIONS

- ▣ Stainless Steel Finished Back
- ▣ Stainless Steel Single or Double Overshelf
- ▣ Full Length Removable Composite Cutting Board
- ▣ Set of 4" Casters or 6" Legs
- ▣ Hinged Night Cover
- ▣ Drawers in lieu of Doors
- ▣ Trayslides

GLYCOL PREP TABLES SELF-CONTAINED

CONTINUED PRODUCT DEVELOPMENT MAY NECESSITATE SPECIFICATION CHANGES WITHOUT NOTICE.

Approved by _____ Date _____ Approved by _____ Date _____

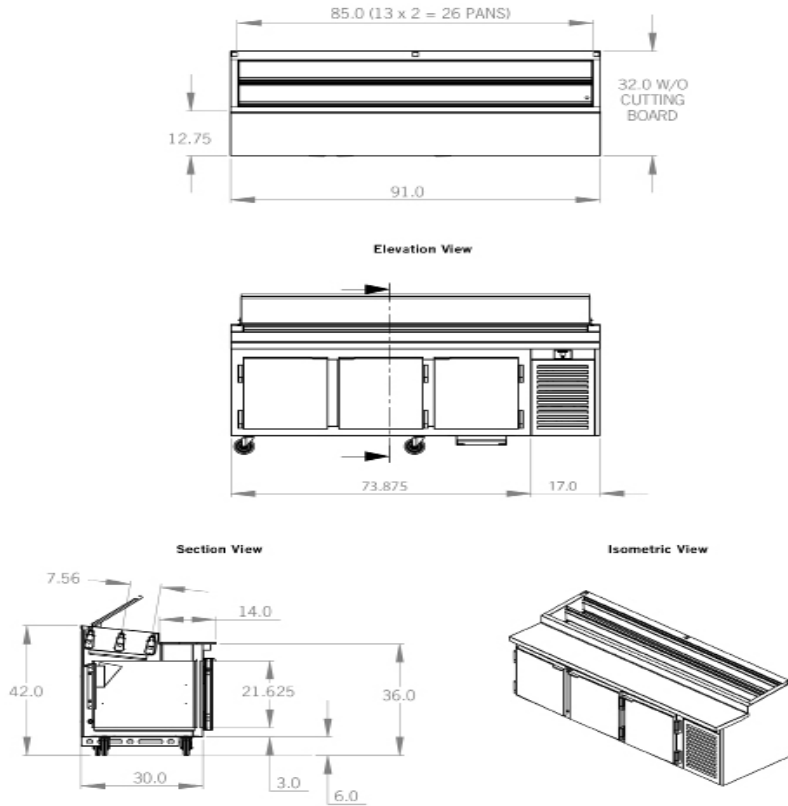


MODELS:

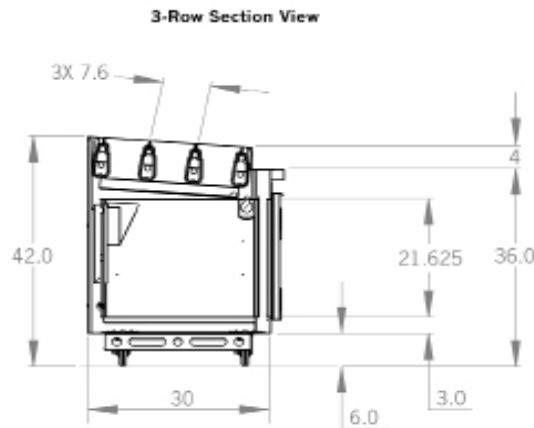
TB091SL2S, TB091SL3S



TB091SL2S 2 Pan Rail Model



3 Pan Rail Model-Section View





Project _____
 AIA # _____ SIS # _____
 Item # _____ Quantity _____ C.S.I. Section 114000



GLYCOL PREP TABLES SELF-CONTAINED

Glycol Prep Tables Self-Contained

MODELS

Door Models: TB091SL2S, TB091SL3S

MODELS	TB091SL2S 2 Row Pan Rail	TB091SL3S 3 Row Pan Rail
CABINET DIMENSIONAL DATA		
L x D* x H (in.)	91" x 33.5" x 42"	91" x 35" x 42"
Door	3	3
# of 1/6 Pans	26	39
Amps	13.6	17.7
NEMA Plug	5-30P	5-30P
Voltage	115/60/1	115/60/1
Weight lbs. (kg)	940	940
REFRIGERATION DATA		
MDEC	-	-
Refrigerant	R-404A	R-404A
Refrigerant Amount oz. (gr)	18	18

EQUIPMENT SPECIFICATIONS

TOP

Heavy-duty stainless steel, 4 inch high raised rail, slightly sloped to front with a glycol pan chiller system. T6 anodized horizontal chiller plates to accommodate 1/3", 1/6" and 1/9" pans. All heavy duty stainless steel construction with Lift-off night cover. Comes standard with white polyethylene cutting board.

CONSTRUCTION

Base exterior front and sides are stainless steel. Back is galvanized steel and bottom is galvanized steel. Interior has covered corners. Two powder coated (gray), wire shelves are provided for each door section. Casters are provided. Doors are standard with foam insulated stainless steel, self-closing hinges, and snap-in magnetic gaskets.

INSULATION

Nominal two (2) inch thick foamed-in-place polyurethane.

REFRIGERATION

All necessary controls and components are included in Self-contained models. Refrigeration includes condensing unit, expansion tank, heat exchanger and pump closely located from and in communication with the refrigeration controls.

ELECTRICAL

Unit equipped with 115 volt single phase components. All hook-ups are at rear of unit.

WARRANTIES

Both a three year parts and labor warranty and an additional two year compressor warranty are provided standard.

2 Row Pan Rail Models

*Overall depth with standard 14" cutting board

3 Row Pan Rail Models

*Overall depth with standard 8" cutting board. Optional 10" cutting board = 37" overall depth. Optional 14" cutting board = 41" overall depth

*When ordering please specify: voltage, hinging and optional accessories.

Equipped with one NEMA 5-15P Plug



Recommended Pan Brands For Standard Pan Chiller Fit and Spacing

Brand	Item Description
Cambro	Polypropylene
Cambro	Polycarbonate
Carlisle	Polycarbonate
Carlisle	Stainless Steel
SyscoWare/Vollrath	SPI
SyscoWare/Vollrath	SPIII
Rubbermaid	Polycarbonate
JR	S/S
Crestware	S/S

Approved by _____ Date _____ Approved by _____ Date _____