



Project \_\_\_\_\_  
 AIA # \_\_\_\_\_ SIS # \_\_\_\_\_  
 Item # \_\_\_\_\_ Quantity \_\_\_\_\_ C.S.I. Section 114000



**BLAST CHILLERS**

**TBC-SERIES**  
 Reach-In Blast Chiller  
 Self-Contained



**STANDARD PRODUCT FEATURES**

- High Performance Dual Refrigeration System
- Easy to Use Touch Screen Control with Automatic or Manual Operation
- Adjustable Product Target Temps (40 to -5 degrees F) or Cycle Times
- Four Chill Settings: Blast Chill, Speed, Energy Saving & Delicate
- On-Board Cycle Data Printer
- Three (3) Removable Food Probes
- USB Port, 90-Day Cycle Data Memory
- Stainless Steel Exterior & Interior
- Long Life EZ-Clean Door Gasket(s)
- Thirteen (13) Universal Type Tray Slides (factory installed)
- Easy to Maintain Front Facing Condenser Coil
- 3-Year Parts & Labor Warranty
- 2-Years Additional Compressor Parts Warranty



**Intertek**  
 4004142  
Conforms to UL STD. 471  
 Cert. to CAN/CSA STD. C22.2 NO.120

This unit is listed to the applicable UL, CSA and NSF Standards by an approved NRTL. Consult the factory or unit's data plate for approval information.

**ACCESSORIES & OPTIONS (\*field installed)**

- Label Printer (adds "-LP" to device number)
- Automatic Electric Condensate Evaporator (field installed)
- Combi Oven Compatibility Kit
- Set of Four (4) 4-5/8" High Casters
- Models for Remote Application Available

**AVAILABLE CONFIGURATIONS**

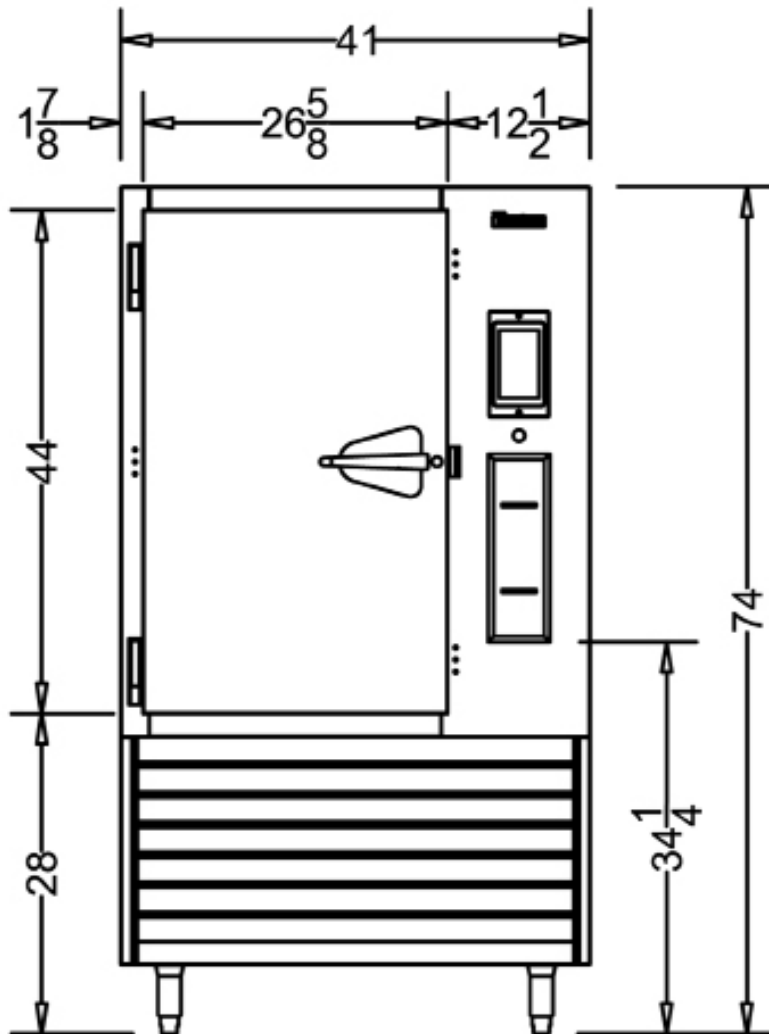
Model	Hinging	Supports	Other Feature
TBC13-24	Left	6" Casters	No
TBC13-28	Right	6" Casters	No
TBC13-31	Left	6" Legs	No
TBC13-32	Right	6" Legs	No
TBC13-58	Left	6" Casters	No
TBC13-62	Left	6" Casters	No
TBC13-50	Right	6" Casters	Combi Oven Compatible

Approved by \_\_\_\_\_ Date \_\_\_\_\_ Approved by \_\_\_\_\_ Date \_\_\_\_\_



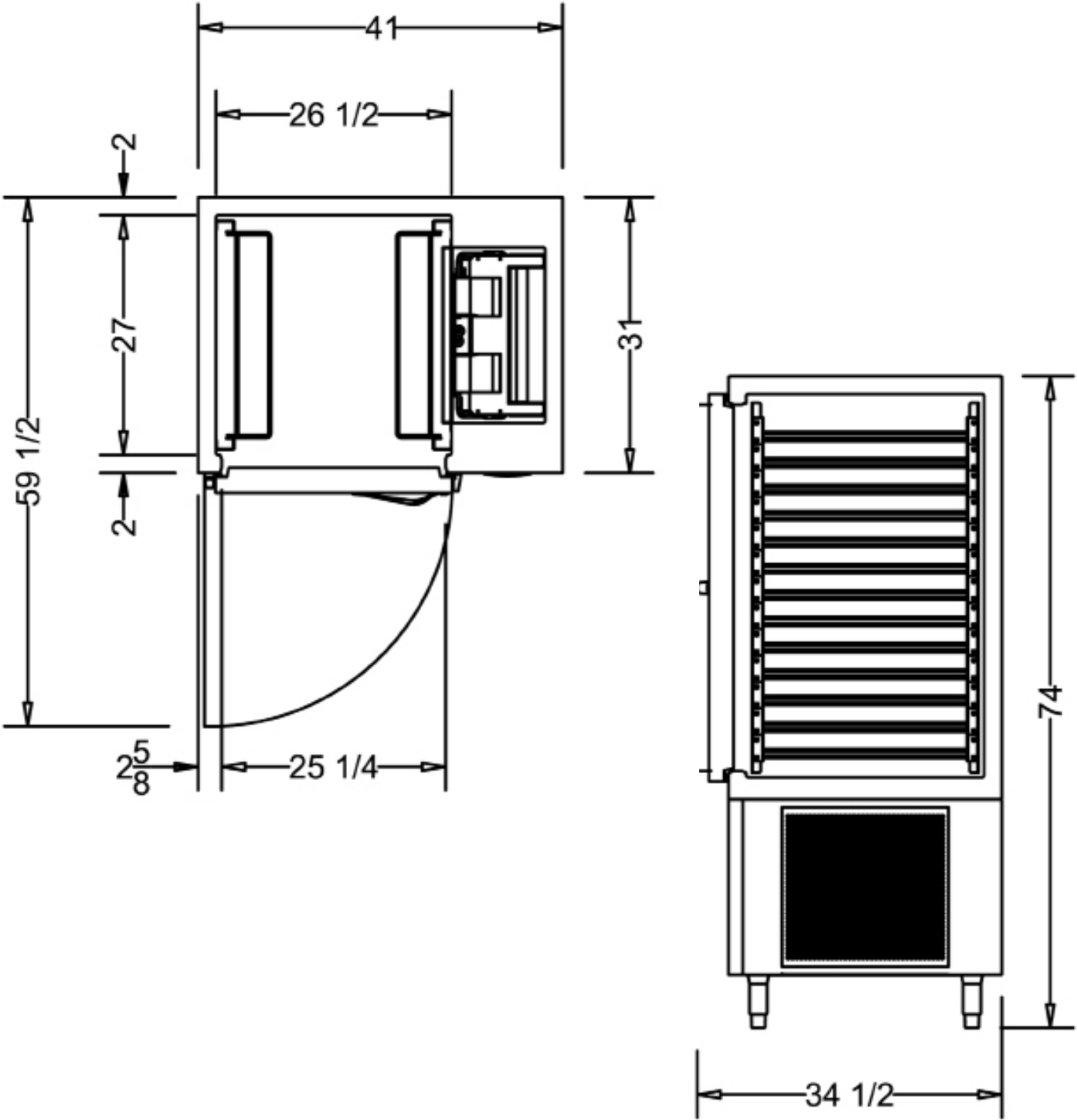
MODEL

TBC13



**TBC-SERIES**  
Reach-In Blast Chiller  
Self-Contained Solid Door

**MODEL**  
TBC13





# TBC-SERIES

## Reach-In Blast Chiller

### Self-Contained

## MODEL

### TBC13

MODELS	TBC13
<b>DIMENSIONAL DATA</b>	
Net Capacity cu. ft.	18.3 (518 l)
L x D x H - Overall in. <sup>1</sup>	41 (104.1 cm) x 35 (88.8 cm) x 74 (188 cm)
Depth - Over Body in.	31 (78.7 cm)
Depth - Door Open 90° in.	59½ (151.1 cm)
Clear Door W x H in.	25½ (64.1 cm) x 41½ (105.7 cm)
No. Tray Slides	13
Pan Capacity	[13] 18" x 26"   [26] 12" x 20"
Product Capacity lbs.	200 (40.7 kg)
<b>ELECTRICAL DATA</b>	
Voltage   Plug	208-230/115/60/1   NEMA L14-20P (attached)
Feed Wires with Ground	4
Full Load Amps   Req'd Circuit	16.0   20 Amp
<b>REFRIGERATION DATA</b>	
Refrigerant	R-448A
Refrigerant Charge Amt oz.	Maintenance 22 (623.7 gr)   Blast Chill 32 (907.2 gr)
BTU/HR   H.P. <sup>2</sup>	Maintenance 3010 ½ HP   Blast Chill 5870 ¾ HP
Required Side Clearances <sup>3</sup>	3"   5½"
<b>SHIPPING DATA</b>	
L x D x H Crated in.	48 (121.9 cm) x 45 (114.3 cm) x 85 (215.9 cm)
Volume Crated cu. ft.	106 (3001.5 l)

#### NOTES:

1. Height shown when mounted on standard 6" high legs or casters.
2. Based on a 90°F ambient and 0°F evaporator.
3. Clearance figures based on an 86°F and 105°F environment respectively.

#### ESTIMATED PERFORMANCE CHART

TBC13 Product Load	Chill Time From 135°F to 40°F
75 (lbs.)	85
100 (lbs.)	90
125 (lbs.)	100
150 (lbs.)	120
200 (lbs.)	140

## EQUIPMENT SPECIFICATIONS

### CONSTRUCTION, HARDWARE, INSULATION

Cabinet exterior and interior are constructed of stainless steel. The exterior cabinet top, back and bottom are constructed of heavy gauge galvanized steel. Door is equipped with a cylinder lock and guaranteed for life self-closing cam-lift hinges with a stay open feature at 120 degrees. Gasket profile and durable long life material simplify cleaning and increase overall gasket life. Anti condensate heaters are located behind the door opening. Both the cabinet and door are insulated with an average of 2" thick high density, non-CFC, 100% foamed in place polyurethane.

### SELF-CONTAINED REFRIGERATION SYSTEM

High-capacity, self-contained dual refrigeration systems using environmentally friendly, non-flammable R-448A refrigerant is coupled with an advanced air circulation system to rapidly chill hot food through the HACCP danger zone. It features a thermostatic expansion valve, high-humidity evaporator coil, high speed evaporator fans, air-cooled hermetic compressor, and hot gas defrost. A floor drain or optional condensate evaporator is required for condensate removal. The condenser coil is front facing for easy cleaning. Defrost occurs automatically, does not interrupt chill cycles in progress, nor starting new chill cycles, and intervals between defrost cycles are adjustable to better suit differing operational needs.

### CONTROLLER / BASIC OPERATION

The easy to use touch screen control is water resistant and protected from damage by a heavy gauge stainless steel bezel. Using the three probes provided, it monitors cycle progress and records all HACCP required data. This information can then be printed at the end of the cycle using the on-board printer and/or retrieved later from memory, where it is stored for 90-days.

Chill cycles can be started in one of two ways using either the AUTO (touch free) or MANUAL (fully adjustable) operating mode. In AUTO mode, placing any probe in 90°F or above product will initiate a chill cycle using the default parameters (standard blast chill with a target temperature of 37°F) in approximately 30-seconds. In MANUAL mode, the operator can adjust all the cycle parameters to suit their needs. Upon pressing START the chill cycle will commence using these inputs. Failure to complete cycle programming in MANUAL mode will result in the chill cycle starting automatically in 5-minutes after the last button push (provided at least one probe had been placed in product 90°F or above).

Product and/or user names can be manually input at the beginning or end of the chill cycle if desired. Customized chill cycle parameters (i.e. chill recipes) can be loaded and stored in advance, by name.

Once a chill cycle is started, it will continue without interruption until either the target temperature (using probes) or time (without using probes) is met. When using the default target temperature of 37°F, rapidly circulating air will cycle between 10-14°F or as low as -25°F when the target temperature is set at -5°F.

Upon cycle completion, the blast chiller will notify the operator with an audible alarm, and automatically revert to maintenance mode, holding the product at the target temperature until removed.

### INTERIOR ARRANGEMENTS

Standard interior arrangements include thirteen (13) adjustable universal type tray slides, installed at the factory.

### DOMESTIC WARRANTY

Both a three year parts and labor warranty and an additional two year compressor parts warranty (for a total of five) are provided standard.

CONTINUED PRODUCT DEVELOPMENT MAY NECESSITATE SPECIFICATION CHANGES WITHOUT NOTICE.