



Project \_\_\_\_\_  
 AIA # \_\_\_\_\_ SIS # \_\_\_\_\_  
 Item # \_\_\_\_\_ Quantity \_\_\_\_\_ C.S.I. Section 114000



# TE SERIES

## Refrigerated Equipment Stands Self-Contained

### TE 2-DRAWER MODELS



Listed by Underwriters Laboratories Inc., to U.S. and Canadian safety standards and Listed by NSF International.

### AVAILABLE CONFIGURATIONS

One, Four & Six Drawer Models, 34" Deep

Model	Model Type
TE036HT	36" 2-Drawer Model
TE048HT	48" 2-Drawer Model
TE060HT	60" 2-Drawer Model

### STANDARD PRODUCT FEATURES

- Stainless Steel Exterior & Interior
- Stainless Steel Top w/Drip Guard (Marine) Edge
- Reliable Microprocessor Control With LED Temperature Display
- Balanced, Self-Contained Refrigeration System Using R-404A
- Front-Breathing Design for "Zero-Clearance" Installation
- Non-Electric Automatic Condensate Evaporator
- Condenser Filter (protects coil)
- Off-Cycle Evaporator Defrost
- Controllable Anti-Condensate Drawer Perimeter Heaters
- Full Length Drawer Handle with Gasket Guard
- Magnetic Snap-In EZ Clean Drawer Gaskets
- Easily Removable Drawers Accomodate 12" x 20" x 6" Pans (pans by others)
- Self-Closing Drawers with Stay Open Feature
- 14-Gauge Stainless Steel Drawer Slides
- Side, Front & Rear Access Panel for Ease of Service & Maintenance
- NEMA 5-15P Plug with 9' Cord & Cord Retainer
- Set of Four (4) 4" Casters on Adjustable Caster System
- 3-Year Parts and Labor Warranty
- 2-Years Additional Compressor Parts Warranty

### ACCESSORIES & OPTIONS

- ▣ Set of 6" High Stainless Steel Legs in Lieu of Casters
- ▣ 6" Cabinet Length Extension
- ▣ Stainless Steel Exterior Finished Back
- ▣ Export 220/50/1 Voltage
- ▣ Remote Applications
- ▣ Water Cooled Self-Contained Condenser Suitable for Connection to Glycol
- ▣ System Relocated to Right Side

REFRIGERATED EQUIPMENT STANDS SELF CONTAINED

CONTINUED PRODUCT DEVELOPMENT MAY NECESSITATE SPECIFICATION CHANGES WITHOUT NOTICE.

Approved by \_\_\_\_\_ Date \_\_\_\_\_ Approved by \_\_\_\_\_ Date \_\_\_\_\_

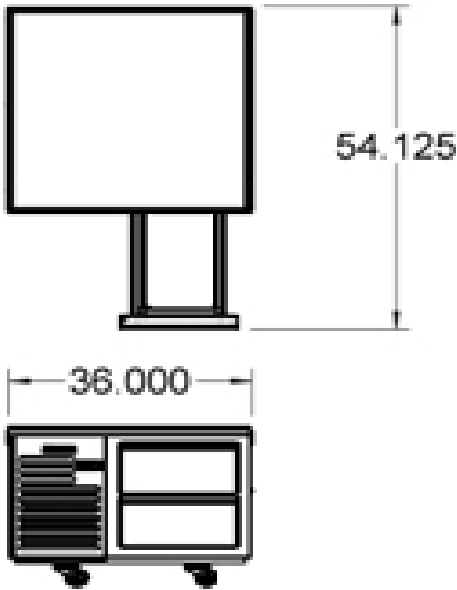


# TE SERIES

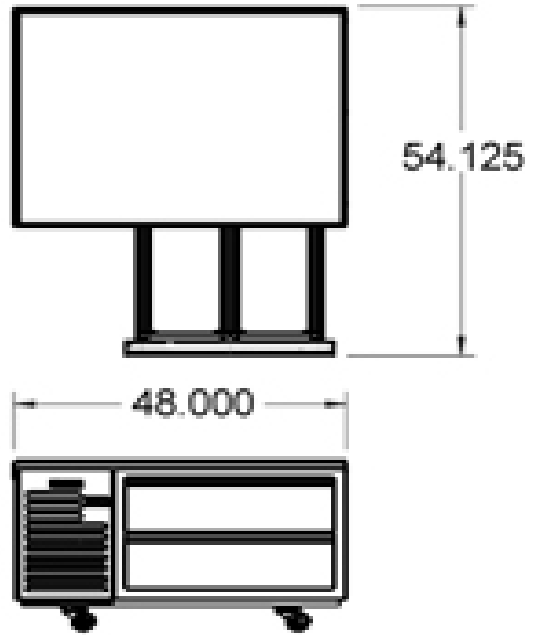
Refrigerated Equipment Stands Self-Contained

## MODELS:

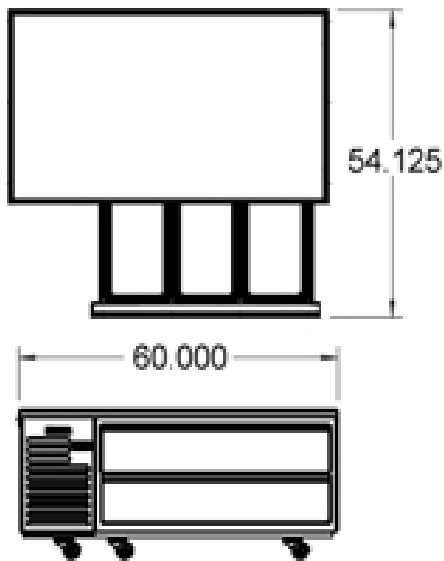
TE036HT, TE048HT, TE060HT



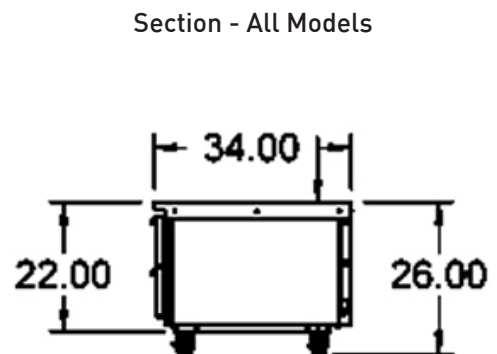
Elevation - TE036HT



Elevation - TE048HT



Elevation - TE060HT



CONTINUED PRODUCT DEVELOPMENT MAY NECESSITATE SPECIFICATION CHANGES WITHOUT NOTICE.



Project \_\_\_\_\_  
 AIA # \_\_\_\_\_ SIS # \_\_\_\_\_  
 Item # \_\_\_\_\_ Quantity \_\_\_\_\_ C.S.I. Section 114000



REFRIGERATED EQUIPMENT STANDS SELF CONTAINED

## TE SERIES

### Refrigerated Equipment Stands

### Self-Contained

Models: TE036HT, TE048HT, TE060HT

MODELS	TE036HT	TE048HT	TE060HT
<b>CABINET DIMENSIONAL DATA</b>			
Length - Overall in.	36" [91.4 cm]	48" [121.9 cm]	60" [152.5 cm]
Depth - Cabinet Only	32" [81.3 cm]	32" [81.3 cm]	32" [81.3 cm]
Depth - Door Open	54 1/8" [137.5 cm]	54 1/8" [137.5 cm]	54 1/8" [137.5 cm]
Depth - Over Handle	34 1/8" [86.7 cm]	34 1/8" [86.7 cm]	34 1/8" [86.7 cm]
Height - Overall on 4" Casters <sup>1</sup>	26" [66.0 cm]	26" [66.0 cm]	26" [66.0 cm]
Max Top Load Capacity lbs.	625	625	1200
Pan Capacity 12" x 20" x 6"	2	4	6
Pan Orientation	n/a	Side by Side	Side by Side
Drawers Per Cabinet	2	2	2
<b>ELECTRICAL DATA &amp; REFRIGERATION DATA 115/60/1 NEMA 5-15P</b>			
Full Load Amps	6.7	6.7	6.7
MDEC <sup>2</sup>	N/A	N/A	N/A
Refrigerant	R-404A	R-404A	R-404A
Refrigerant Amount oz. (gr)	13.0 [369]	13.5 [383]	16.0 [454]
BTU/HR - HP <sup>3</sup>	2440 [1/3 HP]	2440 [1/3 HP]	2440 [1/3 HP]
<b>SHIPPING DATA</b>			
Length - Crated in.	65	72	84
Width Crated in.	42	42	42
Height - Crated in.	41	35	42
Volume Crated cu. ft.	65	62	85.75
Weight lbs. (kg) - Crated	410 [186 kg]	430 [195 kg]	475 [216 kg]

### EQUIPMENT SPECIFICATIONS

#### CONSTRUCTION, HARDWARE AND INSULATION

Cabinet exterior front, sides, louver assembly and drawers are constructed of 20-gauge 430 stainless steel, exterior back and bottom are constructed of heavy gauge galvanized steel. Cabinet interior sides are constructed of 22-gauge 400 series stainless steel, top and bottom are constructed of 22-gauge 300 series stainless steel. A set of 4" high casters are included standard. Gasket profile and Santoprene® material simplify cleaning and increase overall gasket life. Both the cabinet and drawers are insulated with an average of 2" thick high density, non-CFC foamed in place polyurethane.

#### CONTROLLER

The easy to use water resistant microprocessor control system is supplied standard. It includes a 3-Digit LED Display, and a Fahrenheit or Celsius Temperature Scale Display Capability.

#### REFRIGERATION SYSTEM

The left side mounted, self-contained, balanced refrigeration system using R-404A refrigerant features an off-cycle defrost, capillary tube, air-cooled hermetic compressor, automatic condensate evaporator, and a dedicated rear-mounted evaporator design which distributes cold air through each drawer section. A 9' cord and retainer is provided. Standard operating temperature is 34° to 38° F (1.1° to 3.3°C).

#### DRAWERS

Each heavy-duty drawer is designed to accommodate 12" x 20" x 6" deep pans. They are constructed using 14-gauge stainless steel drawer slides and 2" diameter stainless steel rollers. Drawers include both a self-closing and stay-open feature.

#### WARRANTIES

Both a three year parts and labor warranty and a five year compressor warranty (self-contained models only) are provided standard.

NOTE: Figures in parentheses reflect metric equivalents.

1. Height as measured without optional stainless steel work top.

2. MDEC= Maximum Daily Energy Consumption

3. Based on a 90 degree F ambient and 20 degree F evaporator. For information on remote models, please refer to form TR35837.

When ordering please specify: Voltage, Hinging, Options and any additional warranties.

Equipped with one NEMA 5-15P Plug



Approved by \_\_\_\_\_ Date \_\_\_\_\_ Approved by \_\_\_\_\_ Date \_\_\_\_\_