

REFRIGERATOR MANUFACTURER
Turbo air
 more durable, efficient, beautiful

4184 E. Conant St.
 Long Beach, CA 90808
 Tel. 310-900-1000
 Fax. 310-900-1077
www.turboairinc.com

| | |
|-----------------|-------|
| Project : | |
| Model # : | |
| Item # : | Qty : |
| Available W/H : | |
| Approval : | |

Island Display Cases

Self-Serve Merchandisers

Model : TIOM-48RRB-N

Patented Self-Cleaning Condenser



This product is equipped with a fine mesh filter to the front of the condenser to catch dust, and a rotating brush that moves up and down daily to remove excess buildup outward and away.



≡ FEATURES & BENEFITS ≡

▪ Self-Cleaning Condenser

The accumulation of dust in the condenser causes the failure or breakdown of refrigerators. Refrigerators run normally until they reach a certain level of accumulation. At some point, when they are over the limit, their performance drops quickly resulting in damage to, or disposal of the stored products in refrigerators. The Self-Cleaning Condenser device keeps the condenser clean and prevents system failure by automatically brushing daily.

▪ Hydrocarbon refrigerant (R-290)

With innovative and eco-friendly technology, Turbo Air brings you hydrocarbon refrigerators and freezers designed to meet the new standards of EPA and DOE in 2017. Hydrocarbon refrigerants do not deplete the ozone layer and have zero to low contribution to the global warming (ODP-0, GWP-3)

▪ Modern design

By harmonizing curvature and rigidness, our modern style product designs are user-friendly while maintaining the highest product visibility and aesthetics. The glass front shield optimize the merchandiser's display effects of fresh salads, sandwiches, desserts and beverages.

▪ Designed to enhance impulsive sales

Ideal for eye-catching displays and convenient access with fast service in high traffic area.

▪ LED lighting on top panel and canopy

Brighter and longer lasting LED lights provide attractive, enhanced illumination compared to fluorescents. It saves energy by producing less heat, while maximizing the visibility in the display area.

▪ ABS bump guard liners

▪ 5mm thick durable clear PC (polycarbonate) product stopper

▪ Simple plug-in installation

▪ Patented self-contained system, no plumbing required

▪ Digital electronic thermostat with defrost control

▪ Standard color comes in black only

▪ Price tag rails standard

NATURAL Refrigerant

SP SANITATION

SP C US

2 YEAR WARRANTY

Compressor 5 YEAR WARRANTY (U.S.A. only)

| Model | CU./FT. | # of Tiers | HP | AMPS | Weight (lbs.) | L x D x H (inches) |
|---------------------|-------------|------------|----------------|--------------|---------------|-------------------------|
| TIOM-48RRB-N | 11.2 | 3 | 3/4 x 4 | 15.48 | 706 | 48 x 48 x 65 5/8 |

Model : TIOM-48RRB-N

| ELECTRICAL DATA | |
|----------------------------------|--|
| Voltage | 220/60/1 |
| Plug Type | Ⓢ NEMA 6-20P |
| Full Load Amperes | 15.48 |
| Compressor HP | 3/4 x 4 |
| Refrigerant | R-290 |
| DIMENSIONAL DATA | |
| Net Capacity (cu. ft.) | 11.2 |
| Ext. Dimension (L x D x H) (in.) | 48 x 48 x 65 ⁵ / ₈ |
| # of Tiers | 3 |
| Net Weight (lbs.) | 706 |
| Power Cord Length (in.) | 118 ¹ / ₈ |

Design and specifications subject to change without notice.
Actual shipping weight may differ due to extra packing materials for product protection.

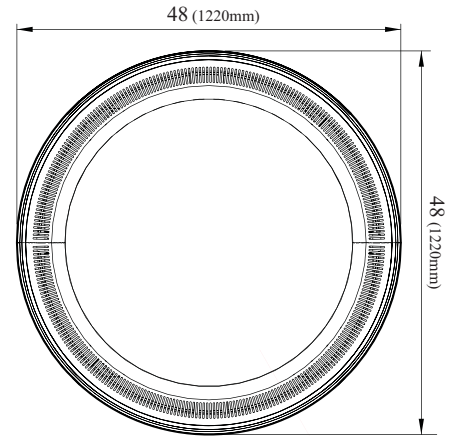
- **WARRANTY : 2 Year Parts and Labor Warranty**
Additional 3 Year Warranty on Compressor

■ **Recommended operating conditions:**

TIOM models are designed to operate in an environment where temperature & humidity do not exceed 75°F and 55% respectively. Units should not be installed near HVAC vents, fans or doorways that will disrupt the air curtain and compromise the function of the cabinet. Air curtain models will run most efficiently when completely loaded with product.

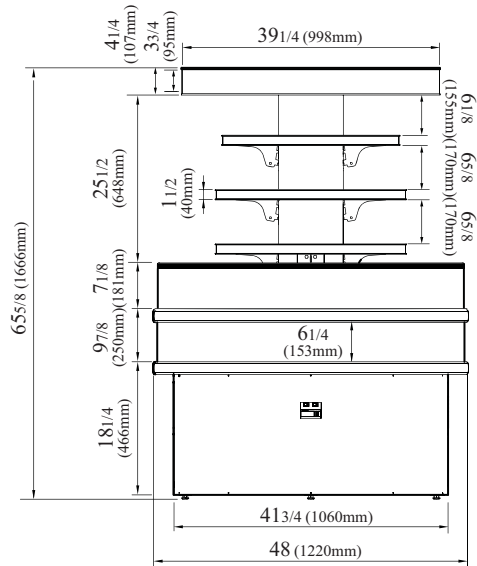
PLAN VIEW

(unit : inch)



TOP VIEW

■ Power Cord



FRONT/SIDE VIEW

Ver.20180226



- Turbo Air : 800-627-0032
- GK : 800-500-3519
- Warranty : 800-381-7770
- AC : 888-900-1002