

**REFRIGERATOR MANUFACTURER**  
**Turbo air**  
 more durable, efficient, beautiful

4184 E. Conant St.  
 Long Beach, CA 90808  
 Tel. 310-900-1000  
 Fax. 310-900-1077  
[www.turboairinc.com](http://www.turboairinc.com)

Project:	
Model #:	
Item #:	
Available W/H:	Qty:
Approval:	
AIA #:	SIS #:
CSI Section 11400	

## Swing Door Freezers

Glass Door Merchandisers  
 Super Deluxe Series

**Model : TGF-5SD\*-N**

### ≡ FEATURES & BENEFITS ≡

- **Hydrocarbon refrigerants (R-290)**  
 With innovative and eco-friendly technology, Turbo Air brings you hydrocarbon refrigerators designed to meet DOE's Energy Conservation Standards in 2017 and to use EPA's SNAP Program approved HC refrigerants. Hydrocarbon refrigerants do not deplete the ozone layer and have very low contribution to global warming (ODP-0, GWP-3).
- **No electrical cabinet heater is needed**  
 Turbo Air is the first in the industry to replace a frame heater with a method of using compressor-produced heat. This eliminates any unnecessary energy consumption while providing efficient freezing performance.
- **High-density polyurethane insulation**  
 The entire cabinet structure is foamed-in-place using high density, HCFC free polyurethane insulation.
- **Triple pane heated glass doors**  
 Equipped with unique triple-pane heated glass doors which enhance energy efficiency by preventing heat transfers and minimizing condensation. Lightweight door construction reduces door maintenance, bushing wear, and facilitates smooth door opening.
- **LED interior lighting**
- **Freezer holds -10°F ~ 5°F for the best in frozen food preservation**



TGF-5SDB-N

TGF-5SDW-N



Model	Swing Door	CU./FT.	#of Shelves	HP	AMPS	Crated Weight (lbs.)	L x D* x H† (inches)
TGF-5SD*-N	1	4.26	2	1/3	2.3	195	25 x 23 1/4 x 30 1/2

Ver.20210430 Printed in U.S.A.


\* Depth does not include 2-3/8" for rear mechanical component and additional 1-5/8" for a power cord bushing & radius of curvature.

† Height does not include 2-1/4" (57mm) for door handle. † Height does not include 2-1/4" (56mm) for leg height. \*White cabinet(W), Black cabinet(B).

# Swing Door Freezers

Glass Door Merchandisers  
Super Deluxe Series

## Model : TGF-5SD\*-N

ELECTRICAL DATA	
Voltage	115/60/1
Plug Type	 NEMA 5-15P
Full Load Amperes	2.3
Compressor HP	1/3
Cord Length (ft.)	7
Refrigerant	R-290
DIMENSIONAL DATA	
# of Doors	1
Net Capacity (cu. ft.)	4.26
Ext. Length Overall (in.)	25 (635mm)
Ext. Depth Overall (in.) *	23 1/4 (590mm)
Ext. Height Overall (in.) †	30 1/2 (775mm)
Int. Length Overall (in.)	20 5/8 (525mm)
Int. Depth Overall (in.)	18 3/4 (475mm)
Int. Height Overall (in.)	26 1/4 (665mm)
# of Shelves	2
Shelf Size (L x D) (in.)	19 3/8 x 16 5/8
Net Weight (lbs.)	164
Gross Weight (lbs.)	195

Design and specifications subject to change without notice.

Actual shipping weight may differ due to extra packing materials for product protection.

\* Depth does not include 2-1/4" (57mm) for door handle.

† Height does not include 2-3/8" for rear mechanical component and additional 1-5/8" for a power cord bushing & radius of curvature.

‡ Height does not include 2-1/4" (56mm) for leg height.

- **WARRANTY : 3 Year Parts and Labor Warranty**  
Additional 4 Year Warranty on Compressor

### ■ STANDARD FEATURES

- Anti-corrosion coated evaporator
- Door locks standard

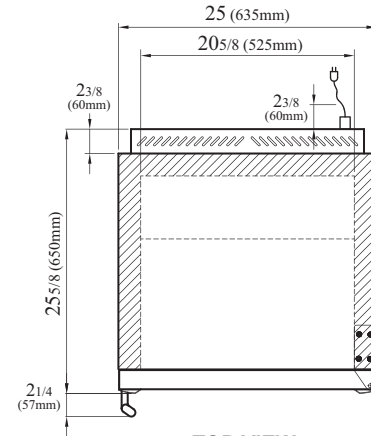
\* **Two color options available (standard):** Super Deluxe series comes in white cabinet (W), black cabinet with black color trim (B).

### ■ OPTIONAL ACCESSORIES

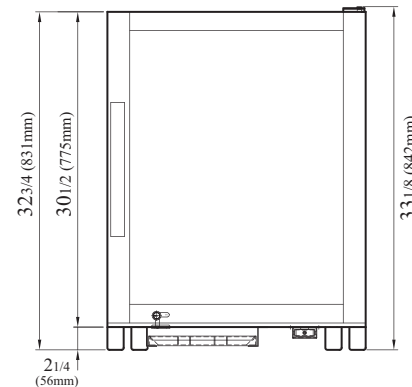
- Additional PE coated wire shelf: P0178A0300
- Price tag channel: P0122K5700 (18-1/2"L)

## PLAN VIEW

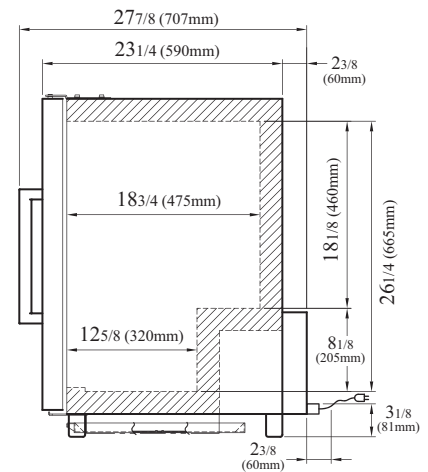
(unit : inch)



TOP VIEW



FRONT VIEW



SIDE VIEW

Ver.20210430

NATURAL Refrigerant

SPEC ISO 9001:2008

ETL US

ETL Intertek

5 YEAR WARRANTY

Compressor 7 YEAR WARRANTY

- Turbo Air : 800-627-0032
- GK : 800-500-3519
- Warranty : 800-381-7770
- AC : 888-900-1002

Turbo air REFRIGERATOR MANUFACTURER

GERMAN KNIFE

RADIANCE

Turbo air REFRIGERATION SYSTEM

TEXAKING

Continued product development may necessitate specification changes without notice.