

Manual Griddles

Standard Features

- Stainless steel exterior & interior
- Stainless steel grease drawer
- Heavy duty 3/4” thick polished steel griddle plate
- 30,000 BTU burners per 12” section with standby pilots
- Independent manual controls for each 12” section
- Stainless steel legs standard
- 3/4” NPT rear gas connection and regulator standard

MODELS:

ATMG-24 / ATMG- 36 / ATMG-48



ATMG-24



ATMG-36



ATMG-48



1 YEAR PARTS AND LABOR WARRANTY



Conforms to ANSI
STD Z83.11-2009 (2011)
Certified to CSA
STD 1.4B-2009 (2011)
Conforms to NSF/ANSI STD.4



REV. 05/23

“WE MAKE THE KITCHEN BETTER!”

SPECIFICATIONS

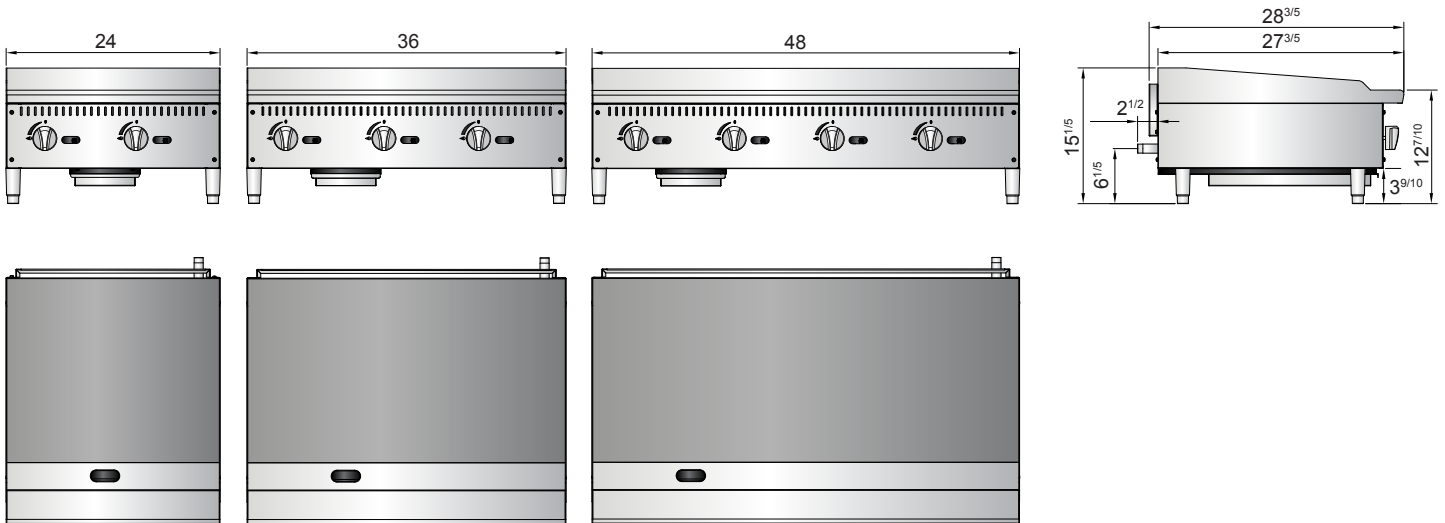
Models	Burners and Control Method	Gas Type	Intake-tube Presssure (in.W.C.)	Per BTU B.T.U./h	Total BTU B.T.U./h	Regulator	Work Area (inch)	Exterior Dimensions (inch)	Net Weight (lbs)	Gross Weight (lbs)
ATMG-24	2 Burners, Independent Manual Control	NG	4	30,000	60,000	4" w.c.	23 ^{9/10} ×19 ^{9/10}	24×28 ^{3/5} ×15 ^{1/5}	161	195
		LP	10	30,000	60,000	10" w.c.				
ATMG-36	3 Burners, Independent Manual Control	NG	4	30,000	90,000	4" w.c.	35 ^{7/10} ×19 ^{9/10}	36×28 ^{3/5} ×15 ^{1/5}	229	281
		LP	10	30,000	90,000	10" w.c.				
ATMG-48	4 Burners, Independent Manual Control	NG	4	30,000	120,000	4" w.c.	47 ^{9/10} ×19 ^{9/10}	48×28 ^{3/5} ×15 ^{1/5}	294	414
		LP	10	30,000	120,000	10" w.c.				

PLAN VIEW

ATMG-24

ATMG-36

ATMG-48



Stainless steel knobs

Dripping hole

Dripping pan

Stainless steel legs

